

FORMAT GUIDELINES

Objective: The intent of this information is to provide some HID Proximity card format guidelines for our customers.

[26 Bit](#) * [HID 37 Bit](#) * [Corporate 1000](#) * [Long Format](#) * [OEM Formats](#) * [Privacy Notice](#)

26 Bit Format: H10301

General: The 26-bit format is the industry standard format, and is an open format. The sale of this format is not limited to any one company. The range of card numbers available in this format is limited and therefore there is a potential for card numbers to be duplicated. It is important to understand that HID does not insure that card numbers will not be duplicated. HID does not control or restrict the ordering of cards encoded with the standard 26 bit format. Convenience in ordering cards and universal access control panel acceptance are the primary benefits in using the standard 26 bit card format.

Description: The 26-bit format consists of 255 possible facility codes. Within each facility code there is a total of 65,535 unique card numbers.

Sales Policy: This format can be sold to any customer.

HID Proprietary 37 Bit Format: H10302

General: In an effort to provide an open format to the industry, while at the same time provide assurance that the numbers are unique and will not be duplicated, the 37 bit format was developed. Under this format, HID controls the issuing of card numbers and does not duplicate the numbers.

Description: The 37-bit format can be used to program a wide range of unique card numbers. Although it is available to all customers, not all access control systems can handle such a large data length format. In addition, many systems are unable to handle a format that does not have a facility code.

Sales Policy: Just like the 26 bit format, the 37 bit format can be sold to any customer. Although it is available to all customers, HID controls the numbers to be generated for each order. Confirm that the system that the cards are to be utilized on is capable of using a 37-bit number with no facility code.

HID Proprietary 37 Bit Format with Facility Code: H10304

General: The 37-bit format with facility code differs from the 37-bit format only in that it also contains a facility code. Just like the 37 bit without facility code, this format provides the customer with an open format in which card numbers will not be duplicated, because HID tracks the manufacture of cards to prevent duplication.

Description: This 37-bit format has 65,535 facility codes available and over 500,000 card numbers within each facility code. Just like the 37-bit format without facility code, many systems are not capable of handling a format as large as 37 bits. In addition, many systems are not capable of handling a facility code as large as 65,535.

Sales Policy: The 37 bit format with facility code is ideal for dealers who would like to have their own format. This allows them to have the security of no duplication of cards, while at the same time they are not dependent on any system supplier for a format. This format is reserved for those customers with a requirement for a large population of cards.

Corporate 1000 Format (see the [Corporate 1000 page](#) for more details)

General: The Corporate 1000 format is a 35 bit format designed to provide large end users with their own proprietary format. This provides them with an assurance that their cards will not be duplicated, because HID reserves an exclusive Corporate 1000 format for each OEM. This format also provides the end user the freedom to work with any system and with any dealer of their choice. Some access systems are not capable of handling a 35-bit format, but as a service to the customer, many OEM's will make enhancements to their control systems to allow the use of an HID Corporate 1000 format. The end user is offered the security and flexibility of selecting and authorizing the security dealer of their choice and controlling the issuance of cards for their organization.

Description: The Corporate 1000 format is a 35 bit format with a unique Company ID Code and over 1,000,000 card numbers available for use.

Sales Policy: The Corporate 1000 format offers the end user a large quantity of available card numbers and is typically reserved for those customers with the need or potential to badge a large number of card holders. The Corporate 1000 format is also available to large organizations that are geographically diverse and have a requirement to unify the structure of their access control system around an exclusive access control card format under their control.

HID LONG FORMAT CARD PROGRAMMING

HID Long Format Card Programming allows up to 84 bits of user data to be encoded on a card and transmitted by a reader to the OEM access control panel or other host controller.

Applications

Long Format allows HID compatibility with longer Wiegand formats sold in Europe, allows emulation of existing Clock and Data (magstripe) formats and allows new OEM formats to be created with longer bitstreams for more security.

Although identified by the reader hardware interface typically used, any available hardware interface (Wiegand, Clock and Data or Serial) can be used with any data structure type.

Requirements for Use

Cards - Standard cards may be ordered so long as the correct format number is specified when ordering. Long format card programming is available with all HID field programmable passive transponders except for the ProxPass, a long range active transponder.

Readers - Special part numbering is not required for readers, but they must have current firmware. Please be sure to specify Long Format when ordering and check with HID Technical Support if you have any questions.

HID readers do not have to be specially configured to read and transmit long format data, they will read it automatically. The OEM access control panel must be properly configured and capable of accepting the data.

OEM Proprietary Formats

General: OEM formats are a unique data format reserved for the exclusive use of an HID OEM customer. The OEM format structure is defined by the OEM customer and HID. OEM formats are available in a number of different data lengths with various data field definitions. The OEM format is the HID customer's way of providing their customers with a unique card, and unduplicated card numbers.

Privacy Notice

In the interests of maintaining the privacy of HID card holders and integrity of end-user security installations, Customer's custom card formats shall be further protected by a code of confidentiality between HID and Customer. Please refer to the [Sales Policy](#) for further details.



1326 - ProxCARD® II Card Ordering Form

Please ensure each required option has been checked with the appropriate choice to fulfill a completed order form.

1326 Base Model

Programming (Check One)

- L - Programmed, Low Frequency (125 kHz) HID. Specify Programming Information.
- C - Programmed, Low Frequency (125 kHz) Casi Rusco⁴. (Identified on Ink jet Markings) Specify Programming Information.
- N - Non-Programmed, Low Frequency (125 kHz). Programming Information Not Required.

Front Packaging (Check One)

- S - ProxCARD II Artwork - Vinyl with Matte Finish
- M - Plain White Vinyl with Matte Finish
- G - Plain White PVC with Gloss Finish
- A - ProxCARD II with Adhesive Front¹
- C - Custom Artwork - Specify Custom Artwork Number²

Back Packaging (Check One)

- S - Base with Molded HID Logo
- C - Custom Artwork - Specify Custom Artwork Number²

Card Numbering³ (Check One)

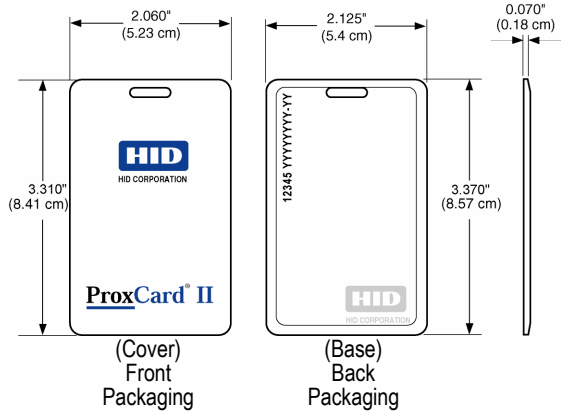
- M - Sequential Matching Internal/External (Inkjetted)
- N - No External Card Numbering
- S - Sequential Internal/Sequential Non-Matching External (Inkjetted)
- R - Random Internal/Non-Matching Sequential External (Inkjetted)

Slot Punch

- V - Vertical Slot Punch

Option - Custom Artwork²

- _____ (Specify Artwork Number – Refer to the Custom Artwork Forms for new Artwork)



12345 = Card ID Number
 YYYYYYYY-YY = Sales Order Number

Please enter your final card options from check boxes above. Example: 1326LSSMV

Final Part Number	1326				V	-	(Options #)
-------------------	------	--	--	--	---	---	-------------

125 kHz Card Programming Information

Bit Numbers _____ (example: 26 bit) Format Number _____ (example: H10301)

Facility Code _____

(Custom Formats) Site Code _____ City Code _____ OEM Code _____

Internal Card No. Start _____ Stop _____

External Card No. Start _____ Stop _____

Special Instructions: _____

¹ The part numbers for non-adhesive labels to be used with the ProxCARD II with the adhesive front are 1324GGN31 without slot and 1324GGV31 with slot.

² For new artwork files, contact Customer Service for custom artwork number, lead-times, and cost.

³ The external card number is placed in the top left-hand corner on the back of the card. HID logo molded into base on back.

⁴ Programmed as a sequential 12 digit number.



1346 - ProxKey® III Keyfob Ordering Form

Please ensure each required option has been checked with the appropriate choice to fulfill a completed order form.

1346 Base Model

Programming (Check One)

- L - Programmed, Low Frequency (125 kHz). Specify Programming Information.
- N - Non-Programmed, Low Frequency (125 kHz). Programming Information Not Required.

Front Packaging

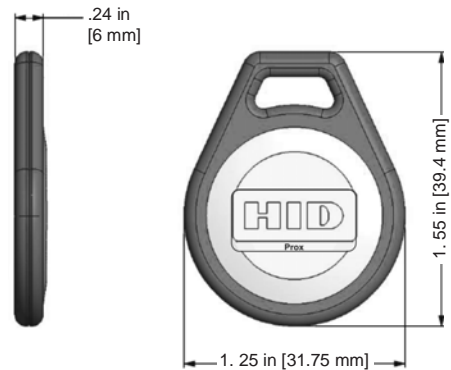
- S - ProxKey II - Grey with Standard HID Logo (Re-orders only)
- N - ProxKey III - Black with grey insert. Includes HID Standard Artwork

Back Packaging

- S - Standard

Keyfob Numbering¹ (Check One)

- M - Sequential Matching Internal/External (Inkjetted)
- O - Sequential External only (Inkjetted)
- N - No External Card Numbering
- S - Sequential Internal/Sequential Non-Matching External (Inkjetted)
- R - Random Internal/Non-Matching Sequential External (Inkjetted)
- A - Sequential Matching Internal/External (Engraved)²
- B - Sequential Internal/Sequential Non-Matching External (Engraved)²
- C - Random Internal/Non-Matching Sequential External (Engraved)²



Shown - Front Packaging Option "N"
 12345 = Keyfob ID Number
 YYYYYYYY-YY = Sales Order Number

Slot Punch³

- N - No Option

Please enter your final ProxKey options from check boxes above. Example: 1346LNSMN

Final Part Number	1346			S		N
-------------------	------	--	--	---	--	---

125 kHz ProxKey Programming Information

Bit Numbers _____ (example: 26 bit) Format Number _____ (example: H10301)

Facility Code _____

(Custom Formats) Site Code _____ City Code _____ OEM Code _____

Internal Key No. Start _____ Stop _____

External Key No. Start _____ Stop _____

Special Instructions: _____

¹ The external number is placed on the back of the Keyfob.
² For Laser Engraved external numbers, consult factory for lead times and cost.
³ Key Ring sold separately (Part Number: 57-0001-02).



1391 - MicroProx® Tag Proximity Ordering Form

Please ensure each required option has been checked with the appropriate choice to fulfill a completed order form.

1391 Base Model

Programming (Check One)

- L - Programmed, Low Frequency (125 kHz). Specify Programming Information.
- C - Programmed, Low Frequency (125 kHz) Casi Rusco⁶. (Identified on Ink jet Markings) Specify Programming Information.
- N - Non-Programmed, Low Frequency (125 kHz). Programming Information Not Required.

Front Packaging (Check One)

- S - Gray with HID Standard Artwork
- K - Black with HID Standard Artwork
- B - Plain Black Finish, (No Artwork)
- G - Plain Gray Finish, (No Artwork)
- C - Custom Artwork – Specify Custom Artwork Number¹

Back Packaging³

- S - Adhesive Backing

Tag Numbering² (Check One)

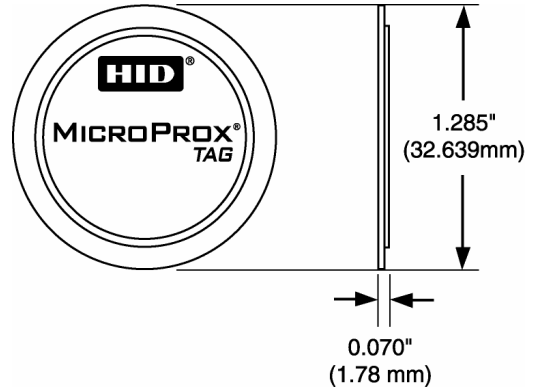
- M - Sequential Matching Internal/External (Inkjetted)
- O - Sequential External only (Inkjetted)
- N - No External Tag Numbering
- S - Sequential Internal/Sequential Non-Matching External (Inkjetted)
- R - Random Internal/Non-Matching Sequential External (Inkjetted)

Slot Punch

- N - None

Optional Custom Artwork¹

- _____ (Specify Artwork Number – Refer to the Custom Artwork Forms for new Artwork)



Please enter your final Tag options from check boxes above. Example: 1391LKSMN

Final Part Number	1391			S		N	-	(Optional Artwork #)
-------------------	------	--	--	---	--	---	---	----------------------

125 kHz Tag Programming Information

Bit Numbers _____ (example: 26 bit) Format Number _____ (example: H10301)

Facility Code _____

(Custom Formats) Site Code _____ City Code _____ OEM Code _____

Internal Tag No. Start _____ Stop _____

External Tag No. Start _____ Stop _____

Special Instructions: _____

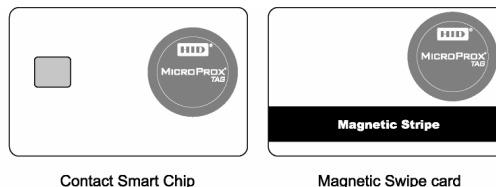
¹ For new artwork files, contact Customer Service for custom artwork number, lead-times, minimum order quantities, and cost.

² The external tag number is placed on the back of the tag.

³ The MicroProx Tag is not for use on cards that use full insertion or tractor feed type readers.

Do not adhere to metal surfaces. Metal shields the RF, making the tag inoperable. Due to variations in cards and reading devices, HID does not claim that the MicroProx Tag will work in every situation. Functional and non-functional MicroProx Tags are available for compatibility testing with existing credential and reader technologies. Compatibility should be confirmed prior to ordering.

MicroProx Placement





1351 - ProxPass® II Vehicle Identification Tag Ordering Form

Please ensure each required option has been checked with the appropriate choice to fulfill a completed order form.

1351 Base Model

Programming

L - Programmed, Low Frequency (125 kHz). Specify Programming Information.

Color

B - Standard beige finish

Back Packaging

S - Standard HID logo

Tag Numbering (Check One)

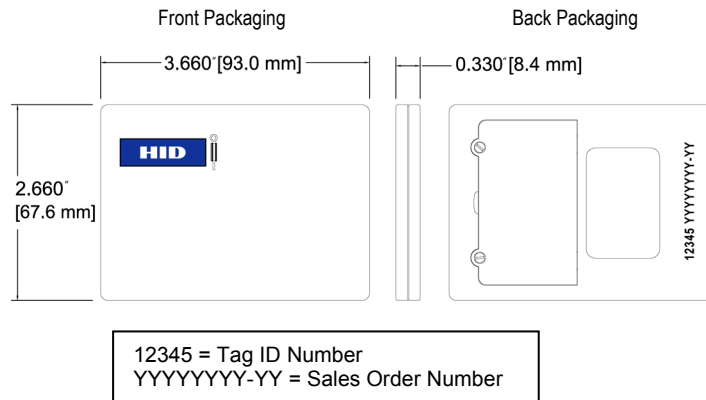
- M - Sequential Matching Internal/External (Inkjetted)
- N - No External Card Numbering
- S - Sequential Internal/Sequential Non-Matching External (Inkjetted)
- R - Random Internal/Non-Matching Sequential External (Inkjetted)

Hardware Option

N - None

Please enter your final Tag options from check boxes above. Example: 1351LBSMN

Final Part Number	1351	L	B	S		N	-	(Optional Artwork #)
-------------------	------	---	---	---	--	---	---	----------------------



125 kHz Tag Programming Information

Bit Numbers _____ (example: 26 bit) Format Number _____ (example: H10301)

Facility Code _____

(Custom Formats) Site Code _____ City Code _____ OEM Code _____

Internal Tag No. Start _____ Stop _____

External Tag No. Start _____ Stop _____

Special Instructions: _____

The ProxPass II Tag includes two replaceable internal batteries and Velcro strips for a complete and simple installation. Battery Part # BR2330, available at most electronic stores (not sold by HID).

**Direct Image PVC Glossy Label Part Numbers**

Part #	Description	Thickness	Dimensions
1324GAV11	ProxCard II size with slot punch, white adhesive back	10 mil PVC	3.310" x 2.060"
1324GAN11	ProxCard II size, no slot punch, white adhesive back	10 mil PVC	3.310" x 2.060"
1324GAV21	ProxCard II size with slot punch, white adhesive back	20 mil PVC	3.310" x 2.060"
1324GAN21	ProxCard II size, no slot punch, white adhesive back	20 mil PVC	3.310" x 2.060"
1324GGV31	ProxCard II size with slot punch, no adhesive	30 mil PVC	3.310" x 2.060"
1324GGN31	ProxCard II size, no slot punch, no adhesive	30 mil PVC	3.310" x 2.060"
1324GBV22	ISOProx II and ProxCard II size with slot punch, brown (3M) adhesive back	20 mil PVC	3.370" x 2.125"
1324GBN22	ISOProx II and ProxCard II size, no slot punch, brown (3M) adhesive back	20 mil PVC	3.370" x 2.125"
1324GAV22	ISOProx II and ProxCard II size, with slot punch, white adhesive back	20 mil PVC	3.370" x 2.125"
1324GAN22	ISOProx II and ProxCard II size, no slot punch, white adhesive back	20 mil PVC	3.370" x 2.125"
1324CAN10	Clear guard protection label for use with all direct image cards		

1. Some dye sublimation printers cannot accommodate pre-slot punched labels; please consult with the printer manufacturer prior to ordering.
2. Labels are packaged in multiples of 100 pieces. Minimum order quantity is 100 pieces. Orders will be accepted in multiples of 100 pieces per label Model.
3. Please make sure to adjust your dye sublimation printer setting to the proper PVC label thickness and dimension.



6005 / 6008 - ProxPoint® Plus Proximity Reader Part Numbers and Options

Card Reader Description	Base Part No.	Current Rev. No.*	Color Options	Hardware Options	Configuration Setting Options ¹	Custom ²
ProxPoint Plus Proximity Reader with Wiegand output with Clock and Data output	6005 6008	B B	G = Classic Charcoal Gray B = Classic Beige W = Classic White K = Classic Black 1 = Designer Black 2 = Designer Charcoal Gray 4 = Designer Wave Blue 5 = Designer White	B = Pigtail (18 inches/45.7 cm) L = Long Pigtail (9 feet/3 meters) ³	00 04 01 05 02 06 03 07	XXXX Y

*Revision numbers and availability are subject to change without notice.

Notes:

¹ Configuration Setting Options are as follows (factory programmed):

- 00 = Beep on, LED normally red, reader flashes green on tag read
- 01 = Beep off, LED normally red, reader flashes green on tag read
- 02 = Beep on, LED normally off, reader flashes green on tag read
- 03 = Beep off, LED normally off, reader flashes green on tag read

- 04 = Beep on, LED normally red, host must flash green
- 05 = Beep off, LED normally red, host must flash green
- 06 = Beep on, LED normally off, host must flash red and/or green
- 07 = Beep off, LED normally off, host must flash red and/or green

² Consult Factory

³ An optional 9 foot pigtail is available through our HID European office and can also be available in the Americas and Asia Pacific regions via special order of 2,500 unit minimum order quantity. Please call the HID factory for pricing and lead-times.

To order, please specify the following:

Card Reader Description	Base Part No.	Current Rev. No.*	Color Options	Hardware Options	Configuration Setting Options	Custom



5365 / 5368 - MiniProx® Proximity Reader Part Numbers and Options

Card Reader Description	Base Part No.	Current Rev. No.*	Color Options	Hardware Options	Configuration Setting Options ¹	Custom ²
MiniProx Proximity Reader with Wiegand output with Clock and Data output	5365 5368	E E	G = Classic Charcoal Gray B = Classic Beige W = Classic White K = Classic Black 1 = Designer Black 2 = Designer Charcoal Gray 4 = Designer Wave Blue 5 = Designer White	P = Pigtail (18 inches/45.7 cm) T = Terminal Strip H = Hazardous back box ³ L = Long Pigtail (9 feet/3 meters) ⁴	00 04 01 05 02 06 03 07	XXXX Y

*Revision numbers and availability are subject to change without notice.

Notes:

¹ Configuration Setting Options are as follows (factory programmed):

- 00 = Beep on, LED normally red, reader flashes green on tag read
- 01 = Beep off, LED normally red, reader flashes green on tag read
- 02 = Beep on, LED normally off, reader flashes green on tag read
- 03 = Beep off, LED normally off, reader flashes green on tag read

- 04 = Beep on, LED normally red, host must flash green
- 05 = Beep off, LED normally red, host must flash green
- 06 = Beep on, LED normally off, host must flash red and/or green
- 07 = Beep off, LED normally off, host must flash red and/or green

² Consult Factory

³ The hazardous back box option MiniProx is available in gray Terminal Strip only.

⁴ An optional 9 foot pigtail is available through our HID European office and can also be available in the Americas and Asia Pacific regions via special order of 2,500 unit minimum order quantity. Please call the HID factory for pricing and lead-times.

To order, please specify the following:

Card Reader Description	Base Part No.	Current Rev. No.*	Color Options	Hardware Options	Configuration Setting Options	Custom



5395 / 5398 - ThinLine® II Proximity Reader Part Numbers and Options

Card Reader Description	Base Part No.	Current Rev. No.*	Color Options	Hardware Options	Configuration Setting Options ¹	Custom ²
ThinLine II Proximity Reader with Wiegand output with Clock and Data output	5395 5398	C	G = Classic Charcoal Gray B = Classic Beige W = Classic White K = Classic Black 1 = Designer Black 2 = Designer Charcoal Gray 4 = Designer Wave Blue 5 = Designer White	1 = Pigtail (18 inches/45.7 cm) L = Long Pigtail (9 feet/3 meters) ³	00 04 01 05 02 06 03 07	XXXX Y

*Revision numbers and availability are subject to change without notice.

Notes:

¹ Configuration Setting Options are as follows (factory programmed):

- 00 = Beep on, LED normally red, reader flashes green on tag read
- 01 = Beep off, LED normally red, reader flashes green on tag read
- 02 = Beep on, LED normally off, reader flashes green on tag read
- 03 = Beep off, LED normally off, reader flashes green on tag read

- 04 = Beep on, LED normally red, host must flash green
- 05 = Beep off, LED normally red, host must flash green
- 06 = Beep on, LED normally off, host must flash red and/or green
- 07 = Beep off, LED normally off, host must flash red and/or green

² Consult Factory

³ An optional 9 foot pigtail is available through our HID European office and can also be available in the Americas and Asia Pacific regions via special order of 2,500 unit minimum order quantity. Please call the HID factory for pricing and lead-times.

To order, please specify the following:

Card Reader Description	Base Part No.	Current Rev. No.*	Color Options	Hardware Options	Configuration Setting Options	Custom



5455 / 5458 / 5355 / 5352 / 5358 - ProxPro® Family Proximity Reader Part Numbers and Options

ProxPro® II Card Reader Description	Base Part No.	Current Rev. No.*	Color Options	Hardware Options	Configuration Setting Options ¹	Custom ²
ProxPro® II Proximity Reader with Wiegand output with Clock & Data Output	5455 5458	B	G = Charcoal Gray B = Beige W = White K = Black	N = No Keypad, Pigtail (18 inches/45.7 cm) L = No Keypad, Long Pigtail (9 feet/3 meters) ⁸	00 04 01 05 02 06 03 07	XXXX Y

ProxPro® Card Reader Description	Base Part No.	Current Rev. No.*	Color Options	Hardware Options	Configuration Setting Options ^{5,7}	Custom ²
ProxPro® Proximity Reader with Wiegand output with Serial output ⁶ with Clock & Data Output	5355 5352 5358	A	G = Charcoal Gray B = Beige	N = No Keypad, Terminal Strip K = Keypad ³ , Terminal Strip S = Keypad ⁴ , Terminal Strip	00 09 10 11 14 19 20 21	XXXX Y

*Revision numbers and availability are subject to change without notice.

¹ ProxPro II Configuration Setting Options are as follows (factory programmed):

- 00 = Beep on, LED normally red, reader flashes green on tag read
- 01 = Beep off, LED normally red, reader flashes green on tag read
- 02 = Beep on, LED normally off, reader flashes green on tag read
- 03 = Beep off, LED normally off, reader flashes green on tag read

- 04 = Beep on, LED normally red, host must flash green
- 05 = Beep off, LED normally red, host must flash green
- 06 = Beep on, LED normally off, host must flash red and/or green
- 07 = Beep off, LED normally off, host must flash red and/or green

² Consult Factory.

³ ProxPro Reader with Keypad (Hardware Option "K" Version): data is outputted over shared Wiegand cable. Reader processes keystrokes.

⁴ ProxPro Reader with Keypad (Hardware Option "S" Version): (3 x 4 Matrix) requires additional 7 conductor keypad cable. Control panel processes keystrokes.

⁵ ProxPro Configuration Setting options are as follows (factory programmed)::

- 00 = Buffer one key, no parity, 4 bit message
- 09 = Buffer one key, add compliment, 8 bit message (Dorado)
- 10 = Buffer six keys and add parity
- 11 = Buffer one key and add parity

- 14 = Buffer one to five keys (Standard 26 bit output)
- 19 = Buffer four keys and add parity
- 20 = Single Key buffering
- 21 = Supervision Mode

⁶ ProxPro Serial output reads cards with up to 37-bit formats, and outputs RS232, RS422, and RS485.

⁷ ProxPro reader Configuration Settings are selected by the customer via dip switch settings. 00 = LED normally red, reader flashes green on tag reads.

⁸ An optional 9 foot pigtail is available through our HID European office and can also be available in the Americas and Asia Pacific regions via special order of 2,500 unit minimum order quantity. Please call the HID factory for pricing and lead-times.

Optional Glass Mount Kit for ProxPro and ProxPro II Readers = 5455AGM00.

To order, please specify the following:

Card Reader Description	Base Part No.	Current Rev. No.*	Color Options	Hardware Options	Configuration Setting Options	Custom



5375 - MaxiProx[®] Proximity Reader Part Numbers and Options

Card Reader Description	Base Part No.	Current Rev. No.*	Color Options	Hardware Options	Configuration Setting Options ¹	Custom ²
MaxiProx [®] Proximity Reader	5375	A	G = Charcoal Gray	N = None	00	XXXX Y

*Revision numbers and availability are subject to change without notice.

Notes:

¹ Configuration Setting 00 = LED normally red, reader flashes green on tag reads.

The MaxiProx[®] reader configuration settings are selected by the customer via internal dip switch settings.

² Consult Factory

To order, please specify the following:

Card Reader Description	Base Part No.	Current Rev. No.*	Color Options	Hardware Options	Configuration Setting Options	Custom



13.56 MHz How to Order Guide – D00529, B.9

208 - iCLASS Clamshell Card Ordering Guide

The iCLASS contactless smart card offers read/write capability.

Please ensure each required option has been checked with the appropriate choice to fulfill a completed order form.

208 Base Model Part Number Worksheet

iCLASS Memory Size and Allocation (Check One)

0 - 2k Bits (256 Bytes) with 2 Application Areas

Programming (Check One)

- C - Configured, Non-Programmed iCLASS. Programming Information Not Required.
- P - Programmed iCLASS. Specify Programming Information.

12345 = Card ID Number
 YYYYYYYY-YY = Sales Order Number

Front Packaging (Check One)

- M - Plain White Vinyl with Matte Finish
- G - Plain White with Gloss Finish
- A - iCLASS Clamshell - Adhesive Front¹
- C - Custom Artwork - Specify Custom Artwork Number²

Back Packaging (Check One)

- S - Base with Molded HID Logo
- C - Custom Artwork - Specify Custom Artwork Number²

Card Numbering³ (Check One)

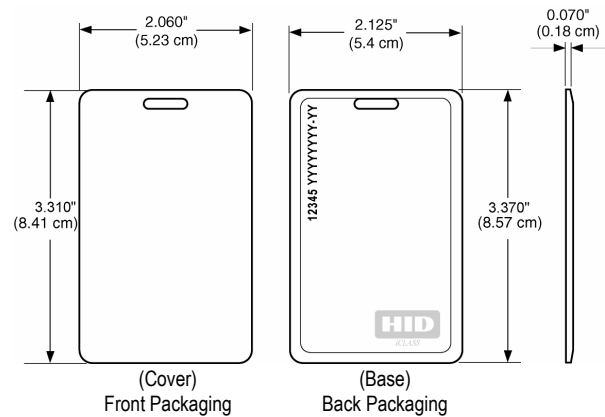
- M - Sequential Matching Internal/External (Inkjetted)
- N - No External Card Numbering
- S - Sequential Internal/Sequential Non-Matching External (Inkjetted)
- R - Random Internal/Non-Matching Sequential External (Inkjetted)

Slot Punch⁵ (Check One)

V - Vertical Slot Punch

Option - Custom Artwork²

_____ (Specify Artwork Number – Refer to the Custom Artwork Forms for new Artwork)



Please enter your final card options from check boxes above. Example: 2080PGSMV

Final Part Number	208	0					V	-	(Options #)
-------------------	-----	---	--	--	--	--	---	---	-------------

iCLASS Card Programming Information

Bit Numbers _____ (example: 26 bit) Format Number _____ (example: H10301)

Facility Code _____

(Custom Formats) Site Code _____ City Code _____ OEM Code _____

Internal Card # Start _____ Stop _____ External Card # Start _____ Stop _____

PIN (2-12 digits): Sequential: Start # _____ Random: Length _____

Special Instructions: _____

¹ The part numbers for non-adhesive labels to be used with the iCLASS Clamshell with the adhesive front are 1324GGN31 without slot and 1324GGV31 with slot.

² For new artwork files, contact Customer Service for custom artwork number, lead-times, and cost.

³ The external card number is placed in the top left-hand corner on the back of the card. HID logo molded into base on back.



13.56 MHz How to Order Guide – D00529, D.2

205 - iCLASS Key Ordering Guide

The iCLASS contactless smart Key offers read/write capability. Attach to a key ring or badge clip for convenient use. Ensure each required option has been checked with the appropriate choice to fulfill a completed order form.

205 Base Model Part Number Worksheet

iCLASS Memory Size and Allocation (Check One)

- | | |
|--|---|
| <input type="checkbox"/> 0 - 2k Bits (256 Bytes) with 2 Application Areas | <input type="checkbox"/> 3 - 32k Bits (4K Bytes) Application areas 16k/2+16k/1 |
| <input type="checkbox"/> 1 - 16k Bits (2k Bytes) with 2 Application Areas | <input type="checkbox"/> 4 - 32k Bits (4K Bytes) Application areas 16k/16+16k/1 |
| <input type="checkbox"/> 2 - 16k Bits (2k Bytes) with 16 Application Areas | |

Programming (Check One)

- C - Configured, Non-Programmed iCLASS. Programming Information Not Required.
 P - Programmed iCLASS. Specify Programming Information.

Front Packaging

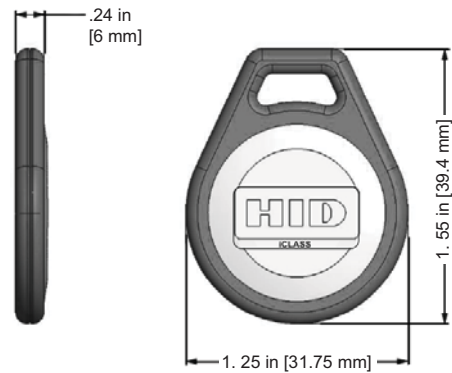
- K - iCLASS Key - Black with HID Standard Artwork (Reorders only)
 N - iCLASS Key II - Black with blue insert. Includes HID Standard Artwork

Back Packaging

- N - None

Key Numbering¹

- M - Sequential Matching Internal/External (Inkjetted)
 N - No External Key Numbering
 S - Sequential Internal/Sequential Non-Matching External (Inkjetted)
 R - Random Internal/Non-Matching Sequential External (Inkjetted)
 A - Sequential Matching Internal/External (Engraved)²
 B - Sequential Internal/Sequential Non-Matching External (Engraved)²
 C - Random Internal/Non-Matching Sequential External (Engraved)²



Shown – Front Packaging Option N

Additional Options³

- N - None

Enter your final card options from the above selections. Example: 2052PNNMN

Final Part Number	205				N		N
-------------------	-----	--	--	--	---	--	---

iCLASS Key Programming Information

Bit Numbers _____ (example: 26 bit) Format Number _____ (example: H10301)

Facility Code _____

iCLASS Elite Ice Number (if applicable) _____
(Custom Formats) Site Code _____ City Code _____ OEM Code _____

Internal Card # Start _____ Stop _____ External Card # Start _____ Stop _____

PIN: Sequential: Start # _____ Random: Length _____

Special Instructions: _____

¹ The external key number is placed on the back of the key.
² For Laser Engraved external numbers, consult factory for lead times and cost.
³ Key Ring sold separately (Part Number: 57-0001-02).



13.56 MHz How to Order Guide – D00529, B.9

206 - iCLASS Tag Ordering Guide

The iCLASS contactless smart Tag offers read/write capability. iCLASS enable existing credentials or non-metallic devices such as cell phones or PDAs by adhering the iCLASS Tag.

Please ensure each required option has been checked with the appropriate choice to fulfill a completed order form.

206 Base Model **Part Number Worksheet**

iCLASS Memory Size and Allocation (Check One)

- 0 - 2k Bits (256 Bytes) with 2 Application Areas
- 1 - 16k Bits (2k Bytes) with 2 Application Areas
- 2 - 16k Bits (2k Bytes) with 16 Application Areas
- 3 - 32k Bits (4K Bytes) Application areas 16k/2+16k/1
- 4 - 32k Bits (4K Bytes) Application areas 16k/16+16k/1

Programming (Check One)

- C - Configured, Non-Programmed iCLASS. Programming Information Not Required.
- P - Programmed iCLASS. Specify Programming Information.

Front Packaging (Check One)

- S - Gray with HID Standard Artwork
- K - Black with HID Standard Artwork
- C - Custom Artwork – Specify Custom Artwork Number²

Back Packaging

- S - Adhesive Backing

Tag Numbering¹(Check One)

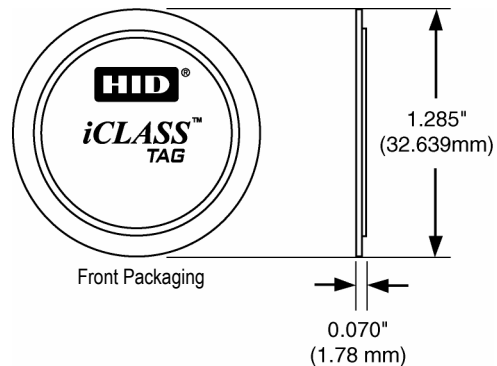
- M - Sequential Matching Internal/External (Inkjetted)
- N - No External Tag Numbering
- S - Sequential Internal/Sequential Non-Matching External (Inkjetted)
- R - Random Internal/Non-Matching Sequential External (Inkjetted)

Slot Punch

- N - None

Option - Custom Artwork¹

- _____ (Specify Artwork Number – Refer to the Custom Artwork Forms for new artwork)



Please enter your final Tag options from check boxes above. Example: 2062CSSNN

Final Part Number	206				S		N	-	(Options #)
-------------------	-----	--	--	--	---	--	---	---	-------------

iCLASS Tag Programming Information

Bit Numbers _____ (example: 26 bit) Format Number _____ (example: H10301)

Facility Code _____

(Custom Formats) Site Code _____ City Code _____ OEM Code _____

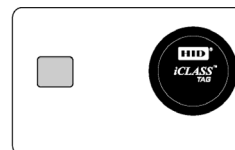
Internal Card # Start _____ Stop _____ External Card # Start _____ Stop _____

PIN: Sequential: Start # _____ Random: Length _____

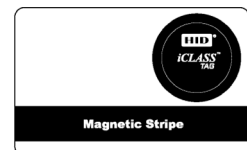
Special Instructions: _____

¹ The external tag number is placed on the back of the tag. ² For new artwork files, contact Customer Service for custom artwork number, lead-times, minimum order quantities, and cost. ³ The iCLASS Tag is not for use on cards that use full insertion or tractor feed type readers.

Do not adhere to metal surfaces. Metal shields the RF, making the tag inoperable. Due to variations in cards and reading devices, HID does not claim that the iCLASS Tag will work in every situation. Functional and non-functional iCLASS Tags are available for compatibility testing with existing credential and reader technologies. Compatibility should be confirmed prior to ordering.



Contact Smart Chip



Magnetic Swipe card

13.56 MHz How to Order Guide – D00529, D.1

iCLASS Read-Only Reader Part Numbers and Options

Card Reader Description	Base Part No.	Current Rev. No.*	Color Options	Hardware Options	Configuration Setting Options ¹	iCLASS Security ²	MIFARE CSN ³ Wiegand Output Mode	Keypad Configuration Setting Options ⁴	Optional Custom ⁵
iCLASS R10 Contactless Smart Card Reader: Mullion Mount - (Wiegand) Read-Only, RoHS Compliant (C&D)	6100 6108	C	G = Charcoal Gray K = Black	N = Pigtail 18" (0.5 meter) T = Terminal Strip	00 01 02 03 04 05 06 07	0 1 C D	0 1 2 3 4 5 6 Z	For Keypad readers only	-XXXX Y
iCLASS R15 Contactless Smart Card Reader: Mullion Mount - (Wiegand) Read-Only, RoHS Compliant (C&D)	6140 6148	C	G = Charcoal Gray K = Black	N = Pigtail 18" (0.5 meter) T = Terminal Strip	00 01 02 03 04 05 06 07	0 1 C D	0 1 2 3 4 5 6 Z	For Keypad readers only	-XXXX Y
iCLASS R30 Contactless Smart Card Reader: European & Asian Back Box Mount (Wiegand) Read-Only, RoHS Compliant (C&D)	6110 6118	C	G = Charcoal Gray K = Black	N = Pigtail 18" (0.5 meter) T = Terminal Strip	00 01 02 03 04 05 06 07	0 1 C D	0 1 2 3 4 5 6 Z	For Keypad readers only	-XXXX Y
iCLASS R40 Contactless Smart Card Reader: US, European & Asian Back Box Mount - (Wiegand) Read-Only, RoHS Compliant (C&D)	6120 6128	C	G = Charcoal Gray K = Black	N = Pigtail 18" (0.5 meter) T = Terminal Strip	00 01 02 03 04 05 06 07	0 1 C D	0 1 2 3 4 5 6 Z	For Keypad readers only	-XXXX Y
iCLASS RK40 Contactless Smart Card Reader: With Keypad - (Wiegand) US, European & Asian Back Box Mount (C&D) Read-Only, RoHS Compliant	6130 6138	C	G = Charcoal Gray K = Black	N = Pigtail 18" (0.5 meter) T = Terminal Strip	00 01 02 03 04 05 06 07	0 1 C D	0 1 2 3 4 5 6 Z	00 09 10 11 14 19 20 22	-XXXX Y
iCLASS R90 Contactless Smart Card Reader: Long Read Range - (Wiegand) Read-Only, RoHS Compliant	6150	A	K = Black	T = Terminal Strip	00 01 02 03 04 05 06 07	0 1 C D	0 = CSN option not available	For Keypad readers only	-XXXX Y
iCLASS RKL55 Contactless Smart Card Reader: Read, with LCD and Keypad (Wiegand) US, European and Asian Back Box Mount (C&D) Wiegand or Clock and Data output RoHS Compliant	6170 6178	B	K = Black	T = Terminal Strip	00 01 02 03 04 05 06 07	0 1 C D	0 1 2 3 4 5 6 Z	00 09 10 11 14 19 20 22	-XXXX Y

*Revision numbers and availability are subject to change without notice. Consult factory for availability.

¹ Configuration Setting Options are as follows (Factory or Field Configurable):

00 = Beep on, LED normally red, reader flashes green on tag read 03 = Beep off, LED normally off, reader flashes green on tag read 06 = Beep on, LED normally off, host must flash red and/or green
 01 = Beep off, LED normally red, reader flashes green on tag read 04 = Beep on, LED normally red, host must flash green 07 = Beep off, LED normally off, host must flash red and/or green
 02 = Beep on, LED normally off, reader flashes green on tag read 05 = Beep off, LED normally red, host must flash green

² iCLASS Security Options (Factory or Field Configurable): See Application Note Number 28 for additional information on Key Management.

0 = Standard (Reads all iCLASS cards with unique keys diversified from HID master key)

1 = Custom, not valid with FIPS201 options (Reads only iCLASS cards with unique keys diversified from matching site specific master key; consult factory for availability)

C = Standard with Open Collector Tamper enabled

D = Custom with Open Collector Tamper enabled

³ MIFARE Card Serial Number (CSN) Wiegand Output Modes are as follows (Factory or Field Configurable). Refer to the "iCLASS Reader Wiegand Output Configuration Guide" for more details. (SETTING NOT APPLICABLE WITH ELITE ORDERS. ELITE READERS DO NOT READ MIFARE CSN.)

0 = 32 bit 1 = 32 bit reverse (Same as 6055A and 6055BXX0011) 2 = 26 bit 3 = 34 bit 4 = 40 bit 5 = 37 bit 6 = 56 bit Z = CSN Suppressed

⁴ Keypad data is output via Wiegand cable. Reader processes keystrokes. Configuration Setting options:

00 = Buffer one key, no parity, 4 bit message 09 = Buffer one key, add compliment, 8 bit message (Dorado) 10 = Buffer six keys and add parity
 11 = Buffer one key and add parity 14 = Buffer one to five keys (Standard 26 bit output) 19 = Buffer four keys and add parity
 20 = Single Key buffering 22 = Local PIN Verify. Requires User PIN code to be programmed into the iCLASS Credential at the factory or by using the iCLASS Card Programmer (please consult factory for availability).

⁵ Contact Factory for pricing, availability, and minimum order quantity.

RoHS compliant Readers are appropriately marked on reader and box. (RoHS or Restriction of Hazardous Substances Directive restricts certain hazardous substances in electrical and electronic equipment.)



13.56 MHz How to Order Guide – D00529, D.1

multiCLASS with HID or Indala Prox Read-Only Reader Part Numbers and Options

Card Reader Description	Base Part No	Current Rev No*	Color Options	Hardware Options	Configuration Setting Options ¹	iCLASS Security ²	MIFARE CSN ³ Wiegand Output Mode	Keypad Configuration Setting Options ⁴	Optional Custom ⁵
iCLASS RP15 Combination Tech Reader: HID, AWID or Indala Prox, iCLASS & FIPS201- Mullion Mount (Wiegand) Read Only, RoHS Compliant (C&D)	6145 6143	C	G = Charcoal Gray K = Black	Pigtail Only N = HID and AWID Module D = Indala Module	00 01 02 03 04 05 06 07	0 1 C D	0 1 2 3 4 5 6 Z	For Keypad readers only	-XXXX Y
iCLASS RP40 Combination Technology Reader: HID, AWID, or Indala Prox, iCLASS & FIP201 US, European & Asian Back Box Mount - Read Only, RoHS Compliant (Wiegand) (C&D)	6125 6123	C	G = Charcoal Gray K = Black	Pigtail Only N = HID and AWID Module D = Indala Module	00 01 02 03 04 05 06 07	0 1 C D	0 1 2 3 4 5 6 Z	For Keypad readers only	-XXXX Y
iCLASS RPK40 Combination Tech Reader: HID, AWID, or Indala Prox, iCLASS & FIP201 US, European & Asian Back Box Mount - Read Only, RoHS Compliant (Wiegand) (C&D)	6136 6133	C	G = Charcoal Gray K = Black	Pigtail Only N = HID and AWID Module D = Indala Module	00 01 02 03 04 05 06 07	0 1 C D	0 1 2 3 4 5 6 Z	00 09 10 11 14 19 20 22	-XXXX Y

*Revision numbers and availability are subject to change without notice. Consult factory for availability.

¹ Configuration Setting Options are as follows (Factory or Field Configurable):

00 = Beep on, LED normally red, reader flashes green on tag read 03 = Beep off, LED normally off, reader flashes green on tag read 06 = Beep on, LED normally off, host must flash red and/or green
 01 = Beep off, LED normally red, reader flashes green on tag read 04 = Beep on, LED normally red, host must flash green 07 = Beep off, LED normally off, host must flash red and/or green
 02 = Beep on, LED normally off, reader flashes green on tag read 05 = Beep off, LED normally red, host must flash green

² iCLASS Security Options (Factory or Field Configurable): See Application Note Number 28 for additional information on Key Management.

0 = Standard (Reads all iCLASS cards with unique keys diversified from HID master key)
 1 = Custom, not valid with FIPS201 options (Reads only iCLASS cards with unique keys diversified from matching site specific master key; consult factory for availability)
 C = Standard with Open Collector Tamper enabled
 D = Custom with Open Collector Tamper enabled

³ MIFARE Card Serial Number (CSN) Wiegand Output Modes are as follows (Factory or Field Configurable). Refer to the "iCLASS Reader Wiegand Output Configuration Guide" for more details. (SETTING NOT APPLICABLE WITH ELITE ORDERS. ELITE READERS DO NOT READ MIFARE CSN.)

0 = 32 bit 1 = 32 bit reverse (Same as 6055A and 6055BXX0011) 2 = 26 bit 3 = 34 bit 4 = 40 bit 5 = 37 bit 6 = 56 bit Z = CSN Suppressed

⁴ Keypad data is output via Wiegand cable. Reader processes keystrokes. Configuration Setting options:

00 = Buffer one key, no parity, 4 bit message 09 = Buffer one key, add compliment, 8 bit message (Dorado) 10 = Buffer six keys and add parity
 11 = Buffer one key and add parity 14 = Buffer one to five keys (Standard 26 bit output) 19 = Buffer four keys and add parity
 20 = Single Key buffering 22 = Local PIN Verify. Requires User PIN code to be programmed into the iCLASS Credential at the factory or by using the iCLASS Card Programmer (please consult factory for availability.)

⁵ Contact Factory for pricing, availability, and minimum order quantity.

RoHS compliant Readers are appropriately marked on reader and box. (RoHS or Restriction of Hazardous Substances Directive restricts certain hazardous substances in electrical and electronic equipment.)

13.56 MHz How to Order Guide – D00529, D.1

multiCLASS Magstripe Read-Only Reader Part Numbers and Options

Product only available in North America

Card Reader Description	Base Part No	Current Rev No*	Color Options	Hardware Options	Configuration Setting Options ¹	iCLASS Security ²	Magnetic Stripe Data Output ³	Keypad Configuration Setting Options ⁴	Optional Custom
iCLASS RMK40 Combination Tech Reader, Wiegand Magnetic stripe, iCLASS US Back Box Mount Read Only, RoHS Compliant	6230	C	K = Black	N = Pigtail T = Terminal Strip	00 01 02 03 04 05 06 07	0 1 C D	0 5 6 7 8 9 A B C D E F	00 09 10 11 14 19 20 22	-XXXX Y
iCLASS RMK40 Combination Tech Reader, Clock-and-Data Magnetic stripe, iCLASS US Back Box Mount Read Only, RoHS Compliant	6238	C	K = Black	N = Pigtail T = Terminal Strip	00 01 02 03 04 05 06 07	0 1 C D	1 4	00 09 10 11 14 19 20 22	-XXXX Y
iCLASS RMPK40 Combination Tech Reader, Wiegand Magnetic stripe, HID and AWID Prox, iCLASS US Back Box Mount Read Only, RoHS Compliant	6236	C	K = Black	N = Pigtail T = Terminal Strip	00 01 02 03 04 05 06 07	0 1 C D	0 5 6 7 8 9 A B C D E F	00 09 10 11 14 19 20 22	-XXXX Y
iCLASS RMPK40 Combination Tech Reader, Clock-and-Data Magnetic stripe, HID and AWID Prox, iCLASS US Back Box Mount Read Only, RoHS Compliant	6233	C	K = Black	N = Pigtail T = Terminal Strip	00 01 02 03 04 05 06 07	0 1 C D	1 4	00 09 10 11 14 19 20 22	-XXXX Y

*Revision numbers and availability are subject to change without notice. Consult factory for availability.

¹ Configuration Setting Options are as follows (Factory or Field Configurable):

00 = Beep on, LED normally red, reader flashes green on tag read 03 = Beep off, LED normally off, reader flashes green on tag read 06 = Beep on, LED normally off, host must flash red and/or green
01 = Beep off, LED normally red, reader flashes green on tag read 04 = Beep on, LED normally red, host must flash green 07 = Beep off, LED normally off, host must flash red and/or green
02 = Beep on, LED normally off, reader flashes green on tag read 05 = Beep off, LED normally red, host must flash green

² iCLASS Security Options (Factory or Field Configurable)

0 = Standard (Reads all iCLASS cards with unique keys diversified from HID master key)
1 = Custom (Reads only iCLASS cards with unique keys diversified from matching site specific master key; consult factory for availability)
C = Standard with Open Collector Tamper enabled
D = Custom with Open Collector Tamper enabled

³ Magnetic Stripe Data Output

0 = Northern card to 32 bit Wiegand, (FC=16 bits, ID=16 bits) 1 = ABA card, all bits raw data – C&D 4 = ABA card all ABA digits, plus 10 leading & 10 trailing 0's – C&D 5 = ABA card all ABA digits, plus 10 leading & 10 trailing 0's – Wiegand
6 = ABA card convert last 4 ABA digits in first field to binary and output as 26 bit Wiegand 7 = ABA card convert last 7 ABA digits in first field to binary and output as 26 bit Wiegand 8 = EMPI card to 26 bit Wiegand
9 = EMPI card to 34 bit Wiegand A = ABA card, convert last 9 ABA digits in first field to binary and output as 34 bit Wiegand B = Basic MS raw output - all bits Wiegand in order received C = ABA to 26 bit Wiegand (FC=8 bits, ID=16 bits)
D = ABA to 34 bit Wiegand (FC=16 bits ID=16 bits) E = ABA to 34 bit Wiegand (Mercury compatible) (FC=12 bits, ID=20 bits) F = ABA to 26 bit Wiegand

⁴ Keypad data is output via Wiegand cable. Reader processes keystrokes. Configuration Setting options:

00 = Buffer one key, no parity, 4 bit message 09 = Buffer one key, add compliment, 8 bit message (Dorado) 10 = Buffer six keys and add parity
11 = Buffer one key and add parity 14 = Buffer one to five keys (Standard 26 bit output) 19 = Buffer four keys and add parity
20 = Single Key buffering 22 = Local PIN Verify. Requires User PIN code to be programmed into the iCLASS Credential at the factory or by using the iCLASS Card Programmer (consult factory for availability.)

RoHS compliant Readers are appropriately marked on reader and box. (RoHS or Restriction of Hazardous Substances Directive restricts certain hazardous substances in electrical and electronic equipment.)



13.56 MHz How to Order Guide – D00529, D.1

iCLASS US Government FIPS 201 Compliant Read-Only Reader Part Numbers and Options

Card Reader Description	Base Part No.	Current Rev. No.*	Color Options	Hardware Options	Configuration Setting Options ¹	iCLASS Security ²	FIPS 201 ³ Wiegand Output Mode	Keypad Configuration Setting Options ⁴	US Government (FIPS 201) Required Part Suffix
iCLASS R10 Contactless Smart Card Reader: Mullion Mount - (Wiegand) Read-Only, RoHS Compliant (C&D)	6100 6108	C	G = Charcoal Gray K = Black	N = Pigtail 18" (0.5 meter) T = Terminal Strip	00 01 02 03 04 05 06 07	0 1 C D	7 8 9 A C D F G H I J K M N T	For Keypad readers only	-G3.0
iCLASS R15 Contactless Smart Card Reader: Mullion Mount - (Wiegand) Read-Only, RoHS Compliant (C&D)	6140 6148	C	G = Charcoal Gray K = Black	N = Pigtail 18" (0.5 meter) T = Terminal Strip	00 01 02 03 04 05 06 07	0 1 C D	7 8 9 A C D F G H I J K M N T	For Keypad readers only	-G3.0
iCLASS R30 Contactless Smart Card Reader: European & Asian Back Box Mount (Wiegand) Read-Only, RoHS Compliant (C&D)	6110 6118	C	G = Charcoal Gray K = Black	N = Pigtail 18" (0.5 meter) T = Terminal Strip	00 01 02 03 04 05 06 07	0 1 C D	7 8 9 A C D F G H I J K M N T	For Keypad readers only	-G3.0
iCLASS R40 Contactless Smart Card Reader: US, European & Asian Back Box Mount - (Wiegand) Read-Only, RoHS Compliant (C&D)	6120 6128	C	G = Charcoal Gray K = Black	N = Pigtail 18" (0.5 meter) T = Terminal Strip	00 01 02 03 04 05 06 07	0 1 C D	7 8 9 A C D F G H I J K M N T	For Keypad readers only	-G3.0
iCLASS RK40 Contactless Smart Card Reader: With Keypad - (Wiegand) US, European & Asian Back Box Mount (C&D) Read-Only, RoHS Compliant	6130 6138	B	G = Charcoal Gray K = Black	N = Pigtail 18" (0.5 meter) T = Terminal Strip	00 01 02 03 04 05 06 07	0 1 C D	7 8 9 A C D F G H I J K M N T	00 09 10 11 14 19 20 22	-G3.0
iCLASS RKL55 Contactless Smart Card Reader: Read, with LCD and Keypad (Wiegand) US, European and Asian Back Box Mount (C&D) Wiegand or Clock and Data output RoHS Compliant	6170 6178	B	K = Black	T = Terminal Strip	00 01 02 03 04 05 06 07	0 1 C D	7 8 9 A C D F G H I J K M N T	00 09 10 11 14 19 20 22	-G3.0

*Revision numbers and availability are subject to change without notice. Consult factory for availability.

¹ Configuration Setting Options are as follows (Factory or Field Configurable):

00 = Beep on, LED normally red, reader flashes green on tag read 03 = Beep off, LED normally off, reader flashes green on tag read 06 = Beep on, LED normally off, host must flash red and/or green
01 = Beep off, LED normally red, reader flashes green on tag read 04 = Beep on, LED normally red, host must flash green 07 = Beep off, LED normally off, host must flash red and/or green
02 = Beep on, LED normally off, reader flashes green on tag read 05 = Beep off, LED normally red, host must flash green

² iCLASS Security Options (Factory or Field Configurable): See Application Note Number 28 for additional information on Key Management.

0 = Standard (Reads all iCLASS cards with unique keys diversified from HID master key)

1 = Custom, not valid with FIPS201 options (Reads only iCLASS cards with unique keys diversified from matching site specific master key; consult factory for availability)

C = Standard with Open Collector Tamper enabled

D = Custom with Open Collector Tamper enabled

³ FIPS 201 (USA Government Smart Card) Formats:

7 = 200 bit, 8 = 64 bit, BCD, 9 = 64 bit, REVERSE BCD, A = 40 bit, BCD, C = 40 bit, REVERSE BCD, D = 75 bit GSA, F = HMAC + 200 bit, G = HMAC + 40 bit BCD, H = HMAC + 64 bit BCD, I = 80 bit combined, J = 32 bit HMAC,

K = 200 bit & 14443A 56 bit CSN, M = 200 bit & 14443A 26 bit CSN, N = 75 bit GSA & 14443A 56 bit CSN, T = 14443A 32bit CSN.

For more information on the FIPS201 outputs, please refer to the output selection guide: http://www.hidcorp.com/pdfs/products/fips201_technote.pdf

⁴ Keypad data is output via Wiegand cable. Reader processes keystrokes. Configuration Setting options:

00 = Buffer one key, no parity, 4 bit message 09 = Buffer one key, add compliment, 8 bit message (Dorado) 10 = Buffer six keys and add parity
11 = Buffer one key and add parity 14 = Buffer one to five keys (Standard 26 bit output) 19 = Buffer four keys and add parity
20 = Single Key buffering 22 = Local PIN Verify. Requires User PIN code to be programmed into the iCLASS Credential at the factory or by using the iCLASS Card Programmer (please consult factory for availability.)

RoHS compliant Readers are appropriately marked on reader and box. (RoHS or Restriction of Hazardous Substances Directive restricts certain hazardous substances in electrical and electronic equipment.)



13.56 MHz How to Order Guide – D00529, D.1

multiCLASS US Government FIPS 201 Compliant with HID or Indala Prox Read-Only Reader Part Numbers and Options

Card Reader Description	Base Part No.	Current Rev. No.*	Color Options	Hardware Options	Configuration Setting Options ¹	iCLASS Security ²	FIPS201 ³ Wiegand Output Mode	Keypad Configuration Setting Options ⁴	US Government (FIPS 201) Required Part Suffix
iCLASS RP15 Combination Tech Reader: HID, AWID or Indala Prox, iCLASS & FIPS201- Mullion Mount (Wiegand) (C&D) Read Only, RoHS Compliant	6145 6143	C	G = Charcoal Gray K = Black	Pigtail Only N = HID and AWID Module D = Indala Module	00 01 02 03 04 05 06 07	0 1 C D	7 8 9 A C D F G H I J K M N T	For Keypad readers only	-G3.0
iCLASS RP40 Combination Technology Reader: HID, AWID, or Indala Prox, iCLASS & FIP201 US, European & Asian Back Box Mount - Read Only, RoHS Compliant (Wiegand) (C&D)	6125 6123	C	G = Charcoal Gray K = Black	Pigtail Only N = HID and AWID Module D = Indala Module	00 01 02 03 04 05 06 07	0 1 C D	7 8 9 A C D F G H I J K M N T	For Keypad readers only	-G3.0
iCLASS RPK40 Combination Tech Reader: HID, AWID, or Indala Prox, iCLASS & FIP201 US, European & Asian Back Box Mount - Read Only, RoHS Compliant (Wiegand) (C&D)	6136 6133	A	G = Charcoal Gray K = Black	Pigtail Only N = HID and AWID Module D = Indala Module	00 01 02 03 04 05 06 07	0 1 C D	7 8 9 A C D F G H I J K M N T	00 09 10 11 14 19 20 22	-G3.0

*Revision numbers and availability are subject to change without notice. Consult factory for availability.

¹ Configuration Setting Options are as follows (Factory or Field Configurable):

00 = Beep on, LED normally red, reader flashes green on tag read 03 = Beep off, LED normally off, reader flashes green on tag read 06 = Beep on, LED normally off, host must flash red and/or green
 01 = Beep off, LED normally red, reader flashes green on tag read 04 = Beep on, LED normally red, host must flash green 07 = Beep off, LED normally off, host must flash red and/or green
 02 = Beep on, LED normally off, reader flashes green on tag read 05 = Beep off, LED normally red, host must flash green

² iCLASS Security Options (Factory or Field Configurable): See Application Note Number 28 for additional information on Key Management.

0 = Standard (Reads all iCLASS cards with unique keys diversified from HID master key)
 1 = Custom, not valid with FIPS201 options (Reads only iCLASS cards with unique keys diversified from matching site specific master key; consult factory for availability)
 C = Standard with Open Collector Tamper enabled
 D = Custom with Open Collector Tamper enabled

³ FIPS 201 (USA Government Smart Card) Formats:

7 = 200 bit, 8 = 64 bit, BCD, 9 = 64 bit, REVERSE BCD, A = 40 bit, BCD, C = 40 bit, REVERSE BCD, D = 75 bit GSA, F = HMAC + 200 bit, G = HMAC + 40 bit BCD, H = HMAC + 64 bit BCD, I = 80 bit combined, J = 32 bit HMAC, K = 200 bit & 14443A 56 bit CSN, M = 200 bit & 14443A 26 bit CSN, N = 75 bit GSA & 14443A 56 bit CSN, T = 14443A 32bit CSN.

For more information on the FIPS201 outputs, please refer to the output selection guide: http://www.hidcorp.com/pdfs/products/fips201_technote.pdf

⁴ Keypad data is output via Wiegand cable. Reader processes keystrokes. Configuration Setting options:

00 = Buffer one key, no parity, 4 bit message 09 = Buffer one key, add compliment, 8 bit message (Dorado) 10 = Buffer six keys and add parity
 11 = Buffer one key and add parity 14 = Buffer one to five keys (Standard 26 bit output) 19 = Buffer four keys and add parity
 20 = Single Key buffering 22 = Local PIN Verify. Requires User PIN code to be programmed into the iCLASS Credential at the factory or by using the iCLASS Card Programmer (please consult factory for availability.)

RoHS compliant Readers are appropriately marked on reader and box. (RoHS or Restriction of Hazardous Substances Directive restricts certain hazardous substances in electrical and electronic equipment.)

13.56 MHz How to Order Guide – D00529, D.1

Edge Readers
Edge™ Solo Part Numbers and Options

Edge™ Solo Product Description	Base Part	Rev. No.*	Color	Hardware Configuration	Configuration Option	iCLASS Elite Key ¹
EdgePlus™ Solo ES400 Single door, IP-based stand-alone controller with built in web interface. Allows external connection to any Wiegand output (up to 128 bit ID) or most HID Clock & Data readers. Indoor use only. Stand-alone integrated access control	83000	B	K = Black	E = Externally-mounted reader	N/A	N/A
EdgeReader™ Solo ESR40 Single door, IP-based stand-alone controller with built in web interface, with Integrated R40 iCLASS reader. Indoor use only Stand-alone integrated access control	83120	A	K = Black	I = Integrated reader	00 = Beep on, LED normally red, reader flashes green on tag read	0
EdgeReader Solo ESRP Single door, IP-based stand-alone controller with built in web interface, with Integrated RP40 Multi-Class reader. Indoor use only Stand-alone integrated access control	83125	B	K = Black	I = Integrated reader	00 = Beep on, LED normally red, Reader flashes green on tag read	0

For Technical Support, please call 800-237-7769 (Press option 4).
 For Sales support, please call 877-276-3346

*Revision numbers and availability are subject to change without notice.

¹0 = Standard (Reads all iCLASS cards with unique keys diversified from HID master key)

Example Part #:

EdgePlus Solo ES400: 83000BKE
 EdgeReader Solo ESR40: 83120AKI000
 EdgeReader Solo ESRP40: 83125BKI000



Edge™ Solo Kit Part Numbers and Options

Edge™ Solo Product Description	Base Part	Rev No.*	Color	Hardware Configuration	Configuration Option	iCLASS Elite Key ¹	Reader / Credential Options
Kit EdgePlus Solo ES400 with (1) RP15 and (20) iCLASS 37bit Cards	K83000	B	K = Black	E = Externally mounted reader	N/A	N/A	PC
Kit EdgePlus Solo ES400 with (1) RP15 and (10) iCLASS 37bit Keyfobs	K83000	B	K = Black	E = Externally mounted reader	N/A	N/A	PK
Kit EdgePlus Solo ES400 with (1) R15 and (20) iCLASS 37bit Cards	K83000	B	K = Black	E = Externally mounted reader	N/A	N/A	RC
Kit EdgePlus Solo ES400 with (1) R15 and (10) iCLASS37bit Keyfobs	K83000	B	K = Black	E = Externally mounted reader	N/A	N/A	RK
Kit EdgeReader Solo ESR40 with (20) iCLASS Cards	K83120	A	K = Black	I = Integrated reader	00 = Beep on, LED normally red, reader flashes green on tag read	0	C
Kit EdgeReader Solo ESR40 with (10) iCLASS Keyfobs	K83120	A	K = Black	I = Integrated reader	00 = Beep on, LED normally red, reader flashes green on tag read	0	K
Kit EdgeReader multiCLASS Solo ESRP40 with (20) iCLASS Cards	K83125	B	K = Black	I = Integrated reader	00 = Beep on, LED normally red, reader flashes green on tag read	0	C
Kit EdgeReader Solo multiCLASS ESRP40 with (10) iCLASS Keyfobs	K83125	B	K = Black	I = Integrated reader	00 = Beep on, LED normally red, reader flashes green on tag read	0	K

For Technical Support, please call 800-237-7769 (Press option 4).

For Sales support, please call 877-276-3346

*Revision numbers and availability are subject to change without notice.

¹ 0 = Standard (Reads all iCLASS cards with unique keys diversified from HID master key)

13.56 MHz How to Order Guide – D00529, D.1

Example Part #:

Kit EdgePlus Solo ES400 with R15 and Cards: K83000BKE000-RC

Kit EdgeReader Solo ESR40 with Keyfobs: K83120AKI000-K

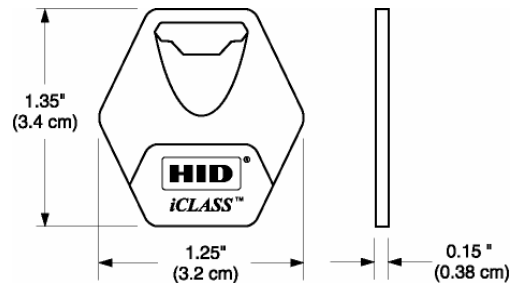
Kit EdgeReader Solo ESRP40 with Cards: K83125BKI000-C

Additional Card Packs and Keyfobs								
Edge Solo Card/Fob Description	Base Part	Memory	Programming	Front Packaging	Back Packaging	Card Numbering	Slot Punch	Option / Custom
Edge Solo Card Pack - (20) EdgeSolo logo iCLASS 37bit Cards	200	0	P	C	G	M	V	EDGE
Edge Solo Key Pack - (10) iClass Keyfobs 37bit	205	0	P	K	N	M	N	

FRONT



BACK



Example Part #:

Edge Solo Card Pack : 2000-PCGMV-EDGE

Edge Solo Key Pack : 2050-PKNMN