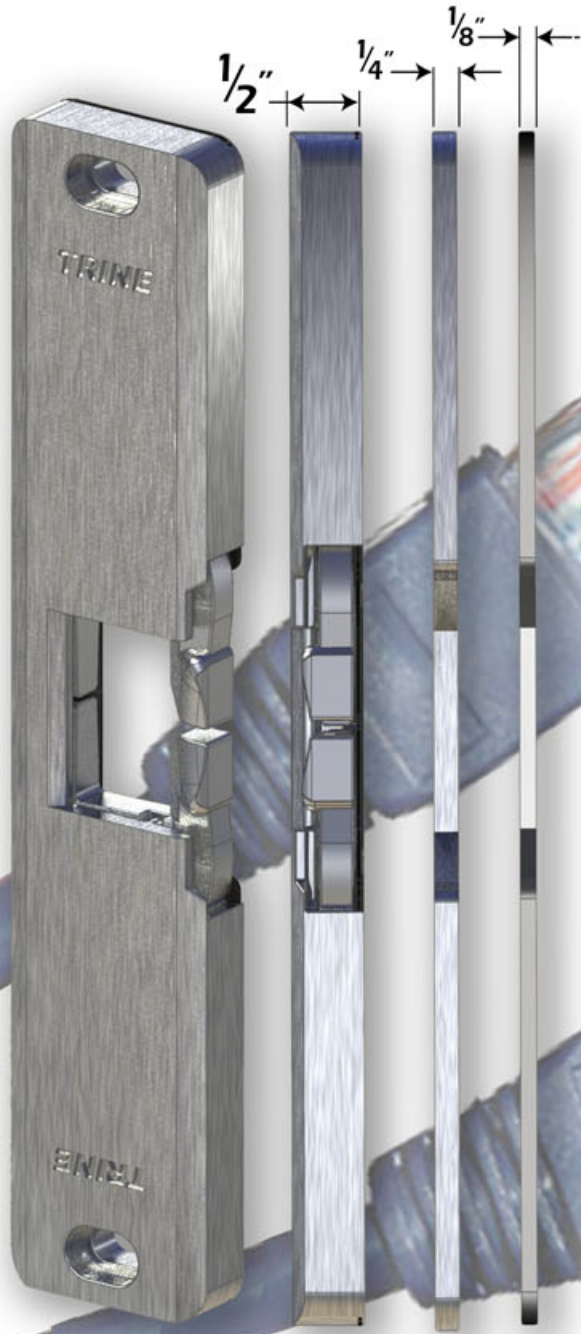


THE NEW 4850-PoE
A LITTLE GREEN CAN GO A LONG WAY



SOMETIMES EVERY mA COUNTS WHEN DESIGNING A POE SYSTEM – THIS STRIKE WAS BUILT WITH THAT IN MIND

TRINE®	4850-PoE	.260 mA	12DC	3.12 W
H.E.S.®	9400/9500/9600	.450 mA	12DC	5.40 W

What will you do with the extra power

- + Add more devices onto your system.
- + Reduce the number of installations that need a separate power supply for door hardware (Saves time, Saves money).
- + Increase your system power safety net.
- + Increase UPS up time due to lower current draw.



Install Securely
with our Patented
Anchor Pin System

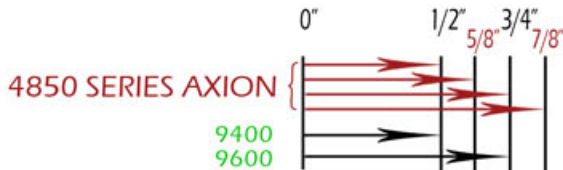


Fits in Tight Installs
like Glass.

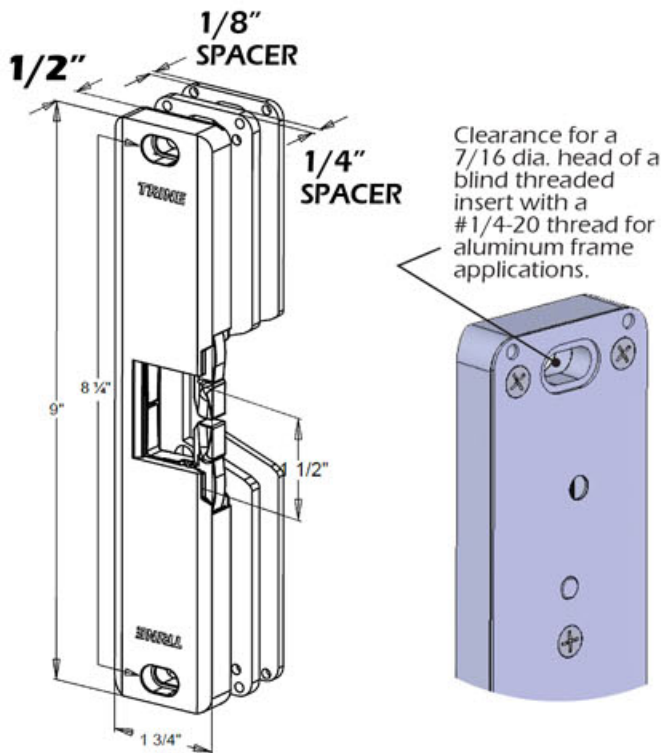
4 SIZES – 1 BOX
NO CUTTING OF THE FRAME

4850-PoE -- Power over Ethernet

TOTAL THICKNESS COMPARISON

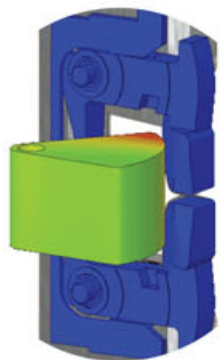
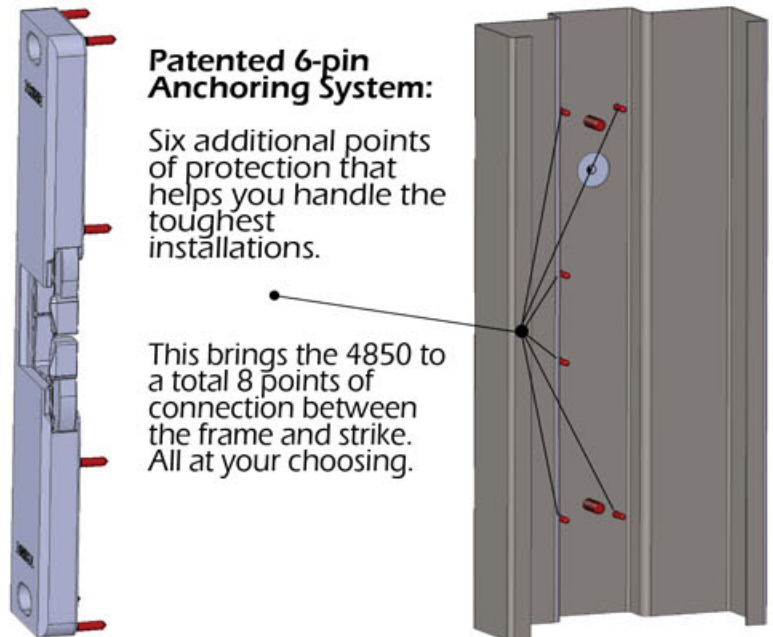


The Axion 4850 provides 4 sizes right out of the box!



FEATURES:

- ONLY .260 mA draw at 12DC
- NO CUTTING OF THE FRAME
- Allows up to a 1" latch throw for maximum flexibility.
- BHMA Grade 1 Strike, ~1,500 lbs. holding force, 1,00,000+ life cycles



Patented One Piece Locking Mechanism

A simple and more durable model of strike providing the highest level of performance.

How to Order;

Finishes:

- 4850-POE-32D (Satin Stainless Steel – BHMA630)
- 4850-POE-US3 (Bright Brass – BHMA605)
- 4850-POE-US4 (Satin Brass – BHMA606)
- 4850-POE-US10 (Satin Bronze – BHMA612)
- 4850-POE-US10B (Dark Bronze – BHMA640)
- 4850-POE-32 (Polished Stainless Steel – BHMA629)