



# CO-Series

## Exit Trim Compatibility

The CO-Series offers 993 exit trim for use with compatible exit devices in retrofit or new construction applications.

The 993 Exit Trim was designed to suite with CO-Series cylindrical and mortise locksets to ensure that the facility remains aesthetically consistent.

The CO-Series 993 Exit Trim utilizes universal hardware to simplify installation of offline trim to a variety of exit devices, including Rim style from Von Duprin, Falcon, Sargent, Corbin Russwin, Dorma, and Yale.

### Available Exit Trim Styles:

- 993R – Rim or Concealed Vertical Rod (CVR for metal doors only)
- 993S – Surface Vertical Rod
- 993M – Mortise
- 993DT – Non-Functioning Dummy Trim for Exit

Compatibility			
Devices	CO-100	CO-200	CO-250
Von Duprin 98/99 Rim/SVR/CVR/Mortise	X	X	X
Von Duprin 22/22F Rim/SVR	X	X	X
Falcon 25 Rim/SVR	X	X	X
Sargent 80 Rim	X	X	X
Precision 21 Rim 2100 converts to 21 with Precision's BP21 kit	X	X	X
Yale 7000 Rim	X	X	X
Corbin Russwin 5000 Rim	X	X	X
Dorma 9300 Rim	X	X	X



### Features

- Multiple Credential Reader Options
- A wide variety of finishes and lever styles
- Powered by 4 AA batteries\*
- Compatible with most Standard, FSIC or SFIC keyways from major brands of master key systems including Schlage, Sargent, Corbin, Medeco and Yale
- UL 294 listed and ANSI/BHMA 156.25 Grade 1 certified\*\*†

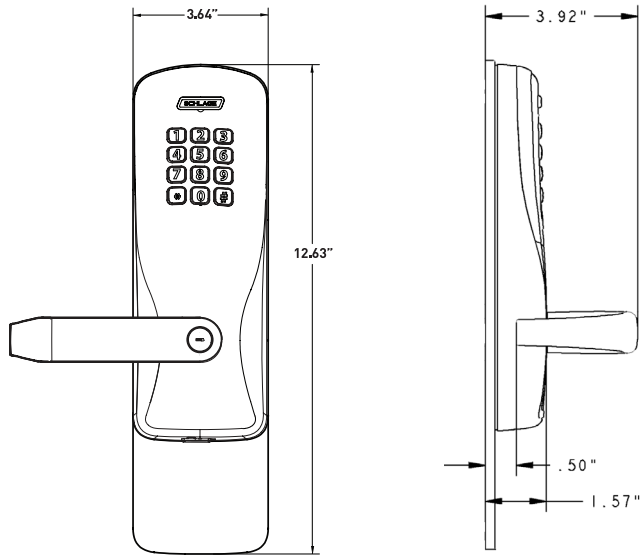
\*Excluding 993DT

\*\*UL 294 does not apply to dummy trim devices

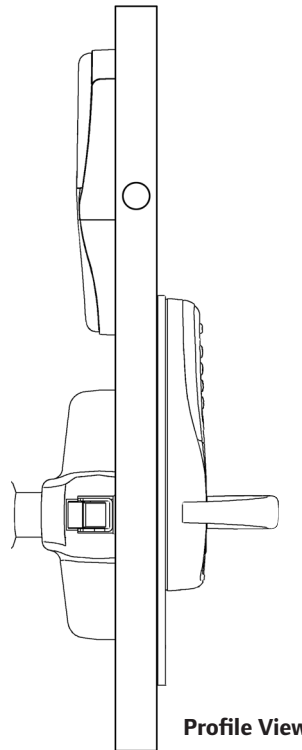
†Certification in process, will be achieved prior to shipment.



**DIMENSIONS**

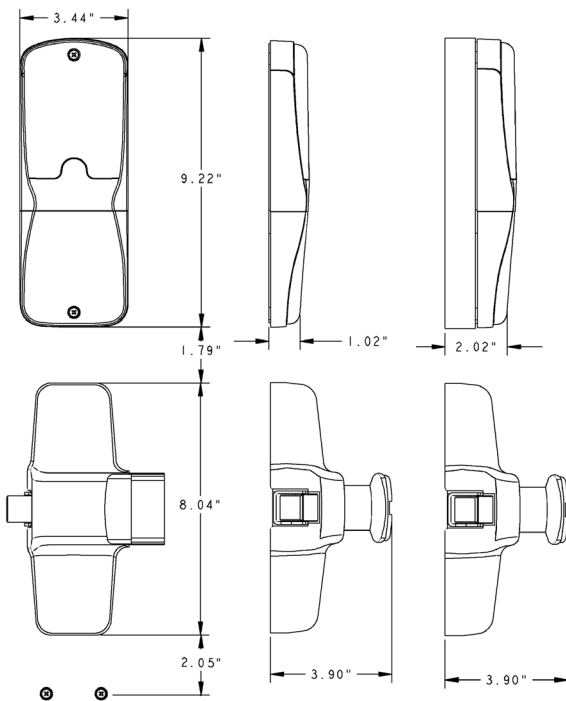


**Exterior View**



**Profile View**

CO-Series - 993 Exit Trim



**Interior View**

**Side View**

**Side View**

CO-100/200/250 - all styles

CO-100/200/250 - RIM/CVR or Mortise

CO-100/200/250 SVR

Note: (2) #7 fasteners with decorative washers located 11.88" below bottom edge of lock

**Compatibility**

Reader Options	CO-100	CO-200	CO-250
KP Keypad	X	X	
PR Proximity		X	
PRK Proximity + Keypad		X	
MS Magnetic Stripe		X	X
MSK Magnetic Stripe + Keypad		X	X
Programming Options			
Computer		X	X
Manual	X	X	

Cylinder Compatibility	Full Size (key-in-lever 6 pin)	FSIC (6 pin)	SFIC (6 & 7 pin)
Schlage	● ▲	● ▲	● ▲
Falcon	● ▲		▲
Sargent		▲	▲
Corbin Russwin		▲	▲
Yale (also includes Medeco & Competitive OEM's)		▲	▲

● = with cylinder ▲ = less cylinder  
Note: See pricebook for specific configurations.

