

## Ordering Information

Available through GSA Schedule 84

Required Fields						Factory Defaults & Options						
CO-250-CY-70-MS-SPA-626-PD-C123-RH-13-049-10-025-1-3/4												
Series	Class	Chassis	Function	Reader	Lever Style	Finish	Lever Cylinder	Keying Type	Handing	Backset & Latch	Strike	Door Thickness
1	2	3	4	5	6	7	8	9	10	11	12	13

### Selections Correspond With the Numbers Above

Standard options are indicated in bold. See price book for specific configuration options.

#### 3 Chassis

CY	Cylindrical
MS	Mortise
MD	Mortise Deadbolt
993R	Exit Trim – Rim/CVR
993S	Exit Trim – SVR
993M	Exit Trim – Mortise
993DT	Exit Dummy Trim

#### 4 Function

70	Classroom/Storeroom
50	Office
40	Privacy

#### 5 Reader

MS	Magnetic Stripe
MSK	Magnetic Stripe + Keypad

#### 6 Lever

SPA	Sparta
RHO	Rhodes
ATH	Athens
TLR	Tubular

*Available with knurled surface*

#### 7 Finish

626	Satin Chrome
605	Bright Brass
606	Satin Brass
612	Satin Bronze
619	Satin Nickel
625	Bright Chrome
643e	Aged Bronze
626AM	Satin Chrome Antimicrobial

#### 8 Lever Cylinder Type

PD	Schlage 6-pin Full Cylinder
----	-----------------------------

*See price book for other SFIC, FSIC and Less Cores options available. Compatible with Schlage, Sargent, Corbin, Medeco and Yale*

#### 9 Keyway Type

<b>C123 Everest</b>
---------------------

*See price book for other available keyway options including master keying*

#### 10 Handing

<b>RH Right Handed</b>
RHR Right Handed Reverse
LH Left Handed
LHR Left Handed Reverse

*Field reversible*

#### 11 Backset & Latch or Armor Front

**Cylindrical**  
**13-049 2-3/4" Backset, Deadlatch, Square Corner, 1-1/8" x 2-1/4"**

**Mortise**  
**09-663 Armor Front, 1-1/4" Wide, Square Corner**

*See price book for mortise deadbolt and other backset and latch options or armor front options*

#### 12 Strike

**Cylindrical**  
**10-025 1-3/16 Lip, ANSI, No Box, 1-1/4" x 4-7/8"**

**Mortise**  
**10-072 1-3/16" Lip, 1-1/4" x 4-7/8" Square Corner, Box**

*See price book for other available strikes*

#### 13 Door Thickness

**1-3/4"**  
 Other thicknesses available between 1-3/8" and 2-3/4"

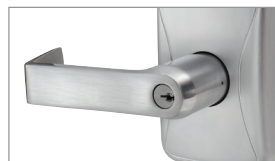
*See price book for detail.*

### Lever styles

Standard cylinders shown, SFIC and FSIC also available.



Sparta



Rhodes



Athens



Tubular

### Warm tone finishes



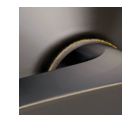
605  
Bright Brass



606  
Satin Brass

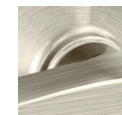


612  
Satin Bronze



643e  
Aged Bronze

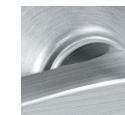
### Cool tone finishes



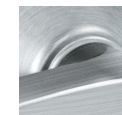
619  
Satin Nickel



625  
Bright Chrome



626  
Satin Chrome



626AM  
Satin Chrome Antimicrobial



## CO-250 Offline Electronic Lock

The CO-Series is the ideal solution for customers seeking the added security and convenience of electronic access control without the cost or complexity of a fully networked system.

The CO-250 is a computer programmable offline lock that stores user rights on the magnetic stripe credential, and captures an audit trail in the lock. The CO-250 provides dynamic rights management, meaning you do not have to visit the door to change user access rights. This makes it a cost effective solution for offline environments with a large number of users. The CO-250 also allows you to retrieve audits by using the Handheld Device (HHD) in conjunction with your access control software.

The CO-250 from Schlage offers you many choices. Cylindrical, mortise, mortise deadbolt, and exit trim chassis options are available as well as a wide variety of finishes and levers to suite with your existing hardware.

Mechanical key override is standard and compatible with multiple cylinder types. The CO-Series is also compatible with many popular brands of exit devices.

The CO-Series has been tested the highest standards in the industry to ensure quality and reliability you have come to expect from Schlage. The CO-Series is ANSI/BHMA 156.25 Grade 1 certified and UL 294 listed.\*\*



Images shown are not to scale.

### Features

- Computer programmable with audit trail
- Unlimited number of users and up to 4000 audits\*
- Available with Magnetic Stripe and Magnetic Stripe plus Keypad
- Up to 32 holidays & 16 time zones\*
- ANSI/BHMA Grade 1 certified and UL 294 listed\*\*
- User rights stored on the magnetic stripe credential
- The ability to easily add and delete users
- Available in cylindrical, mortise, mortise deadbolt, and exit trim
- Compatible with major brands of key systems and exit devices
- Classroom/Storeroom, Office, and Privacy functions available

\*Depending on access control software

\*\*In process, all will be achieved prior to shipment.

XceedID and ISOX are registered trademarks of XceedID Corporation. GE, CASI, and ProxLite are registered trademarks of General Electric Corporation. MIFARE, DESFire and EV1 are registered trademarks of NXP Semiconductors. HID and iCLASS are registered trademarks of HID Global. my-d is a trademark of Infineon Technologies AG. TI Tagit is a trademark of Texas Instruments. Other product names mentioned herein may be trademarks and / or registered trademarks of other companies.



©2010 Ingersoll Rand ES-5915 07/10

877-671-7011 • schlage.com



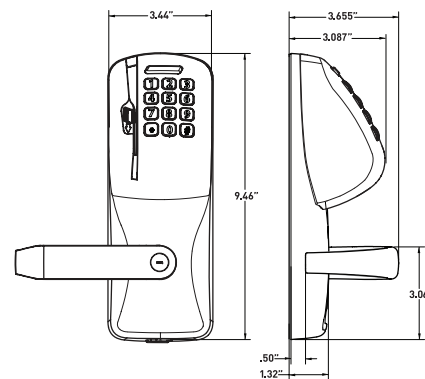
# Specifications

CO-250 Electronic Lock Specifications	
<b>Users</b>	Unlimited*
<b>Audits</b>	Up to 4,000*
<b>Credential Verification Time</b>	≤ 1 second
<b>Visual/Audible Communications</b>	Tri-colored LED's & audible indicators
<b>System Interface</b>	Handheld Device
<b>Power Supply</b>	4 AA batteries
<b>Battery Life</b>	Up to 2 yrs with 4 AA batteries
<b>Operating Temperature - Exterior</b>	-31° to 151°F (-35° to 66°C)
<b>Operating Temperature - Interior</b>	32° to 120°F (0° to 49°C) due to batteries
<b>Operating Humidity</b>	0 - 100% condensing
<b>Certifications**</b>	ANSI/BHMA A156.25 Grade 1, UL 294, UL 10 C, FCC Part 15, ADA
<b>Accessories</b>	Handheld Device (HHD), Magnetic Stripe Credential Encoder (CL-Encoder 2)

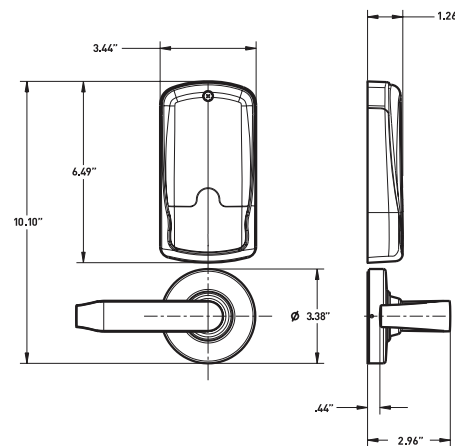
\*Depending on access control software.  
 \*\*In process, all will be achieved prior to shipment.

## Dimensions

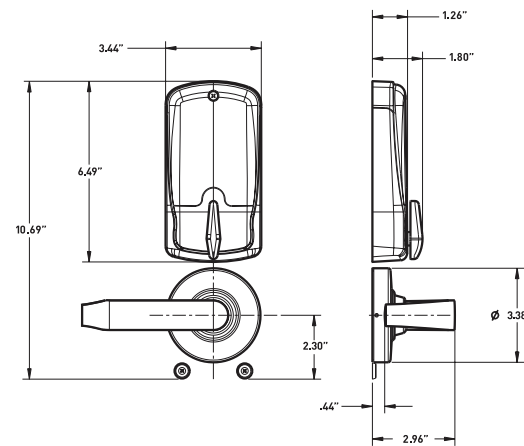
Exterior of the Lock



Interior of the Lock  
Cylindrical



Mortise Deadbolt



## Functions

- ▶ Classroom/Storeroom
- ▶ Office
- ▶ Privacy\*

**Note:** Office function not available with Mortise Deadbolt option. To ensure safety, all functions always allow for free egress.

\*Door position switch is required for cylindrical and mortise chassis with privacy function.

## Standard Status Signals

- ▶ Mechanical Key Override
- ▶ Battery Status

Mechanical Specifications		
Chassis	Cylindrical (Based on Schlage ND-Series)	Mortise (Based on Schlage L-Series)
<b>Handing</b>	Handed to Order, Field Reversible	
<b>ANSI Standard</b>	Meets or exceeds A156.25 and A156.2 Series 4000, Grade 1 strength and operational requirements	Meets or exceeds A156.25 and A156.13 Series 1000, Grade 1 operational and security
<b>Door Thickness</b>	1-3/4" standard, 1-3/8" to 2-3/4" optional (available in 1/8" increments)	
<b>Backset</b>	2-3/4" standard, 2-3/8", 3-3/4" and 5" optional	2-3/4" only
<b>Latch Bolt</b>	1/2" throw security latch standard 3/4" throw optional	3/4" throw with anti-friction tongue standard 1" throw deadbolt on Mortise Deadbolt option
<b>Levers</b>	Pressure cast zinc, plated to match finish symbols	Steel, plated to match finish symbols
<b>Strike</b>	ANSI curved lip strike 1-1/4" x 4-7/8" x 1-3/16" lip to center standard, optional strikes, lip lengths and ANSI strike box available	ANSI curved lip strike 1-1/4" x 4-7/8" x 1-3/16" lip to center with dust box standard, optional strikes lip lengths available

## Compatibility

Exit Device Compatibility		Rim	SVR	CVR	Mortise
Von Duprin	98/99	✓	✓	✓	✓
Von Duprin	22/22F	✓	✓		
Falcon	25	✓	✓		
Corbin Russwin	5000	✓			
Precision	21	✓			
Yale	7000	✓			
Dorma	9300	✓			

Cylinder Compatibility	Full Size (key-in-lever 6 pin)	FSIC (6 pin)	SFIC (6 & 7 pin)
Schlage	● ▲	● ▲	● ▲
Falcon	● ▲		▲
Sargent		▲	▲
Corbin Russwin		▲	▲
Yale (also includes Medeco & Competitive OEM's)		▲	▲

● = with cylinder ▲ = less cylinder  
 Note: See pricebook for specific configurations.

## Schlage Utility Software on Handheld Device

The Schlage Utility Software (SUS) on the Handheld Device (HHD), in conjunction with your access control software, provides an easy way to manage people, audits and locks for simple access control management.

### Schlage Utility Software

- Initialize Lock and Accessories
- Field Configure Devices
  - Credential Reader Formats
  - Lock Function
  - Unlock Period
  - Failure Mode
  - Audible Alarm ON/OFF
- Service & Diagnostics
  - Battery Status
  - Validate hardware and software revision
  - Troubleshooting Status Signals

### HHD

- 3.5 in LCD display
- Touch Screen/Keypad Backlit
- 32-bit processor
- OS: Windows Mobile 5.0
- Memory: 128 MB RAM/256 MB ROM
- Battery: Rechargeable 3.7 v, 1,230 mAH, Li-ion
- Dimensions: 5.3" x 2.9" x 0.7" (13.5 cm x 7.3 cm x 1.8 cm)
- Weight: 0.42 lbs. (190 g)
- 4 ft. (1.2 m) drop to steel surface, 2 drops per 6 sides



The HHD connects with CO-Series and AD-Series locks via the USB interface

HHD is compatible with CO, AD, CM, CL, VIP, WA, and KC2 series locks.

## Reader Specifications



### Magnetic Stripe Plus Keypad

- Triple Track Reader (1, 2 or 3), field configurable
- ABA, ISO76XX Standard
- 12 button, 3x4 matrix keypad



### Magnetic Stripe

- Triple Track Reader (1, 2 or 3), field configurable
- ABA, ISO76XX Standard