

Table of Contents

C			
Concealed Electric Through-Wire.....	3		
Custom Designs.....	2		
Custom Hole Pattern.....	2		
Custom Length Hinges.....	2		
D			
Door and Frame Dimensioning.....	4-5		
Concealed Leaf.....	4-5		
Full Surface.....	5		
Half Surface.....	5		
Half Mortise.....	5		
Dutch Door Hinges.....	2		
E			
Exposed Electric Switches.....	3		
F			
Fasteners.....	2		
Fire Rating.....	2		
H			
Hinges.....	6-7		
Concealed Leaf.....	6-7		
Full Surface.....	6		
Half Surface.....	6-7		
Half Mortise.....	6		
Hospital Tips.....	2		
		M	
		Mortar Box.....	3
		N	
		No Hole (Blank) Hinges.....	2
		P	
		Powder Coat.....	2
		R	
		Raised Barrel.....	2
		S	
		Security Fasteners.....	2
		Security Studs.....	2
		Sheared Leaf.....	2
		V	
		Von Duprin EPT2.....	3
		Von Duprin EPT10.....	3
		W	
		Wide Throw.....	2



Stainless Steel Continuous Hinges

Additions and Modifications

CUSTOM LENGTH HINGES

- For hinges 40" to 83" in length add \$45.00 to 7' list price.
- For hinges 83" to 95" in length add \$45.00 to 8' list price.
- For hinges 95" to 119" in length add \$45.00 to 10' list price.
- For hinges 119" to 192" in length add \$103.00 to the list price of two 8' hinges.

CUSTOM HOLE PATTERN

- Any hole pattern or shape other than Hager's standard hole pattern.
- Call for quote.

CUSTOM DESIGNS

- Special designs for special applications. Contact Hager Customer Service to develop your designs and receive a price quote.

DUTCH DOOR HINGES

- The frame leaf is furnished as a continuous leaf and the door leaf is cut to fit the dutch door heights specified. Upper and lower door leaves are prepped for extra screws. Handing, overall net door height, amount of clearance between the top and bottom doors, their individual heights and door and frame materials should be clearly specified.
- Add to the hinge list price before applying buying group discount: \$75.00.

FASTENERS

All hinges are shipped with appropriate fasteners. Additional fasteners may be ordered as follows. Add to the hinge list price before applying buying group discount:

10 - 16 x 1 1/4" Thread Forming Flat Head Screw	\$0.70/ea
1/4 - 14 x 1" Thread Forming Pan Head Screw	\$1.10/ea
10 - 24 x 5/8" Self-Drilling Flat Head Screw	\$1.10/ea
1/4 - 20 x 3/4" Self-Drilling Pan Head Screw	\$0.90/ea
Adjustment Stud With Flat Head Screw	\$5.50/ea
Sexbolt	\$3.30/ea

FIRE RATING

Hager 790 Series Continuous Hinges are available with an Underwriters Laboratories, Inc. fire label up to 3 hours metal and 90 minutes wood composite.

TAMPER RESISTANT HOSPITAL TIPS

- Safety feature.
- Suffix: hinge model + "HT".
- Available on concealed leaf models 790-900, 790-905, 790-907, 790-915, **for standard lengths only.**
- Add to the hinge list price before applying buying group discount: \$75.00.

NO HOLE (BLANK) HINGES

- Holes omitted for special applications i.e. welded installation
- Call for quote.

POWDER COAT

- Call for quote.

RAISED BARREL

- Call for quote.

REPLACEMENT MOLDINGS



790-079M, 790-083M, 790-085M, 790-095M, 790-119M - Brushed Aluminum replacement molding for 790-903, 790-904, 790-906, 790-909, 790-935, Furnished with 5ea. molding clips, 5ea. 1/4x14x1panhead 2C screws. Shipped in stock lengths for trimming in the field.

List			List		List
79"	83"	85"	95"	119"	
\$111.00			\$120.00	\$132.00	

SECURITY FASTENERS

- Improves building security and reduces hinge tampering
- Security Torx and spanner head available in place of standard fasteners
- Add to the hinge list price before applying buying group discount: \$52.50.

SECURITY STUDS

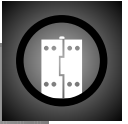
- Stainless steel security studs mounted through frame leaf into door frame.
- Door leaf is drilled to accommodate studs.
- Three studs supplied with hinges up to 85".
- Four studs supplied with hinges over 85".
- Call for quote.

SHEARED LEAF

- For narrow door thicknesses or other special applications.
- Specify distance from pin centerline to extreme edge of hinge when ordering.
- Available on models 790-900, 790-903, 790-905, 790-909, 790-911, 790-915, 790-926, 790-935.
- Call for quote.

WIDE THROW

- Call for quote.



Additions and Modifications

VON DUPRIN EPT 2 OR EPT 10 ELECTRIC POWER TRANSFER PREPARATION

- Hinge leaf cutout to accommodate power transfer device.
- Suffix: hinge model + "-EPT".
- Specify handing and dimension from top of hinge to centerline of power transfer cutout. Please note the clearance from top of hinge to underside of header, typically 1/16" to 1/8" (1.6mm to 3.2mm).
- Modification available on models: 790-900, 790-903, 790-904, 790-915.
- Add to the hinge list price before applying buying group discount: \$86.00

EXPOSED ELECTRIC SWITCHES:

- Miniature push button switch is incorporated in the hinge frame leaf to monitor position of the door.
- To order, use symbol "E1S" as a suffix.
- Each monitoring hinge only needs one E1S switch.
Example: 790-900 85" US32D E1S
- Specify handing and dimension from top of hinge to centerline of electric switch.
- Add to the hinge list price before applying buying group discount:
Electric Contact Switch \$132.50 List per switch

MORTAR BOX - 430

- Serves as mortar shield.
- Overall dimensions: 9" (229 mm) Length with tabs: 7" (178 mm), Inside: 13/4" x 13/4" (45 mm x 45 mm).
- Galvanized steel .040" (1 mm).
- Top and bottom knockouts for standard conduit fittings.
- \$34.25 List per each box

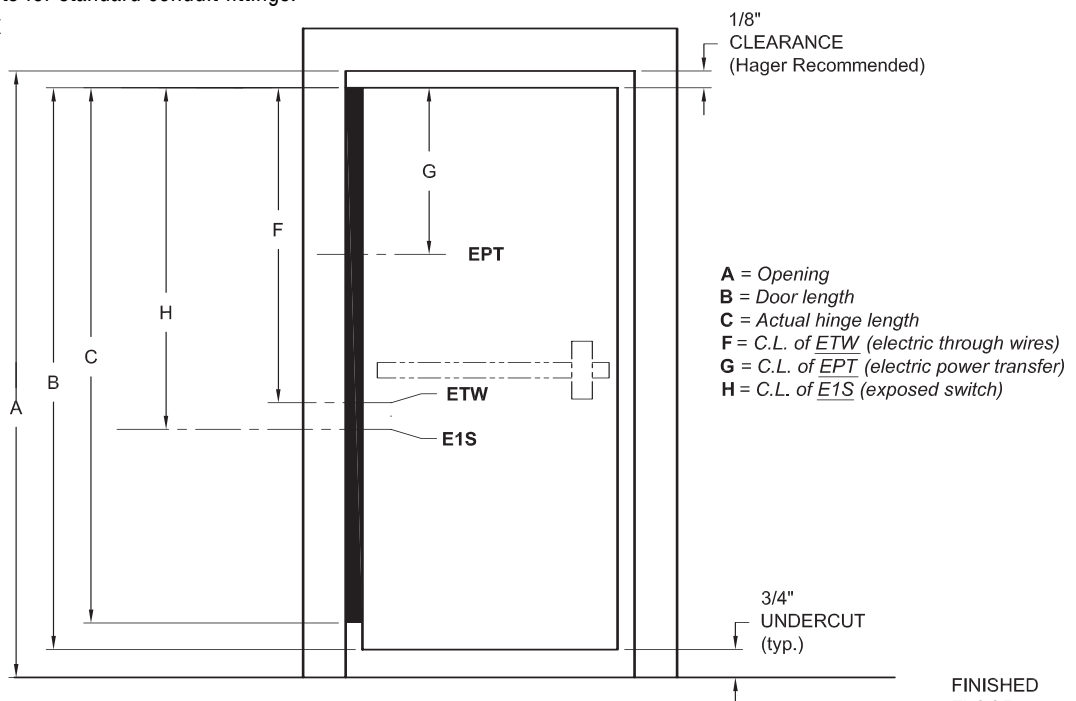
CONCEALED ELECTRIC THROUGH-WIRE

- Transfers power discretely from building to door hardware.
- Four or Eight 24 gauge 12" wire leads.
- To order, use symbol "ETW" plus the number of wires required, as a suffix.

Example: 790-900 HD 85" US32D ETW - 4

- Specify handing and dimension from top of hinge to centerline of electric through-wire location. Please note the clearance from top of hinge to underside of header, typically 1/16" to 1/8" (1.6mm to 3.2mm).
- Available on the following models: 790-900 & 790-915.
- Add to the hinge list price before applying buying group discount:
ETW - 4 \$383.00 List.
ETW - 8 \$573.00 List.
ETW - 10 \$860.00 List.

	79"	83"	85"	95"	119"
A	80"	84"	86"	96"	120"
B	79 1/8"	83 1/8"	85 1/8"	95 1/8"	119 1/8"
C	79 3/16"	83 1/8"	85 1/8"	95"	118 3/4"
F	41 1/2"	43 1/2"	45 1/2"	55 3/8"	79 1/8"
G	24 1/2"	28 7/16"	30 7/16"	40 1/2"	64 7/16"
H	41 1/2"	43 1/2"	45 1/2"	55 3/8"	79 1/8"



1/1/09

800-325-9995
www.hagerco.com

FINISHED FLOOR



Stainless Steel Continuous Hinges

Door and Frame Dimensioning

DOOR AND FRAME DIMENSIONING

Models 790-900, 790-911, 790-915

Designed primarily for work involving new doors and frames

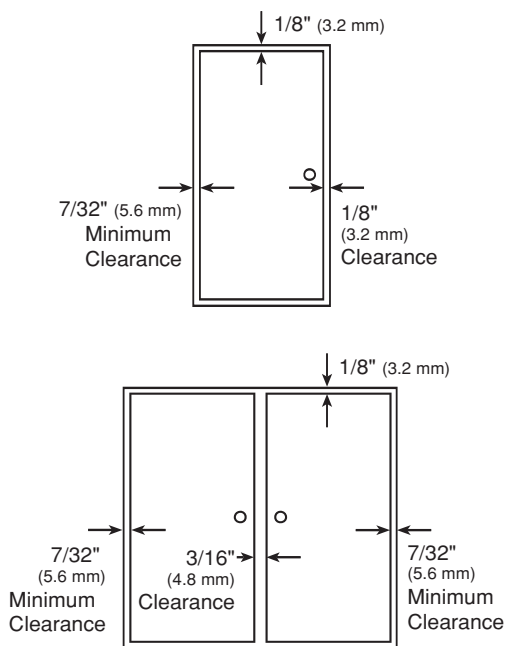
Clearance required as follows:

Single Doors (Square and Beveled Edged)

A. Hinge thickness	7/32"	5.6 mm
B. Additional allowance for frame irregularities	1/32"	0.8 mm
C. Lockside clearance for single door	1/8"	3.2 mm
Total	3/8"	9.5 mm

Pairs of Doors (Square and Beveled Edged)

A. Hinge thickness	7/32"	5.6 mm
B. Additional allowance for frame irregularities	1/32"	0.8 mm
C. Clearance between doors (typical)	3/16"	4.8 mm
D. Second hinge thickness	7/32"	5.6 mm
E. Second allowance for frame irregularities	1/32"	0.8 mm
Total	11/16"	17.5 mm



DOOR AND FRAME DIMENSIONING

Models 790-905, 790-926

Designed primarily for work involving new doors and frames

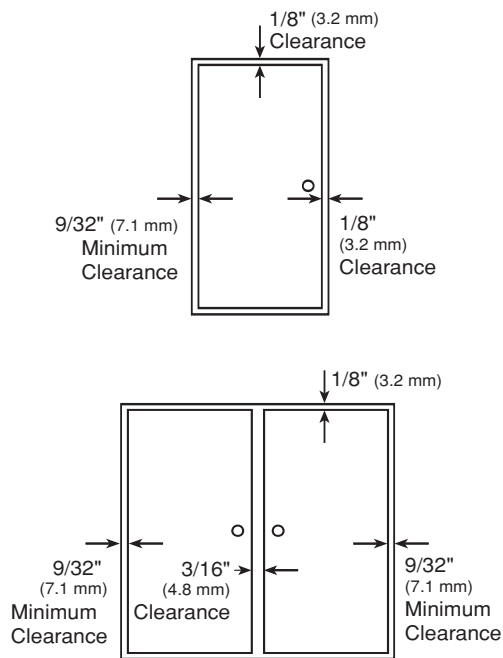
Clearance required as follows:

Single Doors (Square and Beveled Edged)

A. Hinge thickness	9/32"	7.1 mm
B. Additional allowance for frame irregularities	1/32"	0.8 mm
C. Lockside clearance for single door	1/8"	3.2 mm
Total	7/16"	11.1 mm

Pairs of Doors (Square and Beveled Edged)

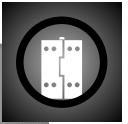
A. Hinge thickness	9/32"	7.1 mm
B. Additional allowance for frame irregularities	1/32"	0.8 mm
C. Clearance between doors (typical)	3/16"	4.8 mm
D. Second hinge thickness	9/32"	7.1 mm
E. Second allowance for frame irregularities	1/32"	0.8 mm
Total	13/16"	20.6 mm



- Notes:
- Some minimal clearance may be required for paint and/or weatherstripping.
 - For doors that are pre-beveled 1/8" (3.2 mm)-in-2" (51 mm) on the hinge edge, add 1/32" (0.8 mm) per door to the TOTAL clearance shown (Model 790-900 only). For Models 790-911 and 790-915, the hinge edge of the door should not be beveled.

Note: Some minimal clearance may be required for paint and/or weatherstripping.

Stainless Steel Continuous Hinges



Door and Frame Dimensioning

DOOR AND FRAME DIMENSIONING

Model 790-907

Designed primarily for work involving new doors and frames

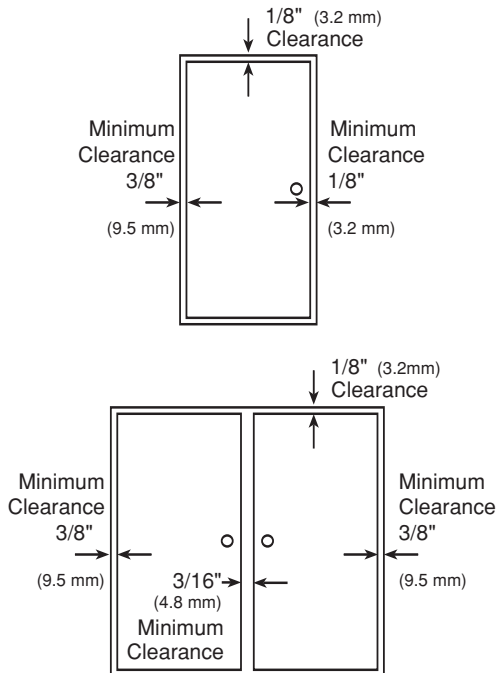
Clearance required as follows:

Single Doors (Square Edged)

A. Hinge thickness	$\frac{3}{8}$ "	9.5 mm
B. Additional allowance for frame irregularities	$\frac{1}{32}$ "	0.8 mm
C. Lockside clearance for single door	$\frac{1}{8}$ "	3.2 mm
Total	$\frac{17}{32}$ "	13.5 mm

Pairs of Doors (Square Edged)

A. Hinge thickness	$\frac{3}{8}$ "	9.5 mm
B. Additional allowance for frame irregularities	$\frac{1}{32}$ "	0.8 mm
C. Clearance between doors (typical)	$\frac{3}{16}$ "	4.8 mm
D. Second hinge thickness	$\frac{3}{8}$ "	9.5 mm
E. Second allowance for frame irregularities	$\frac{1}{32}$ "	0.8 mm
Total	1"	25.4 mm



- Notes:
- Some minimal clearance may be required for paint and/or weatherstripping.
 - This model is not recommended for use on doors/panels that have a beveled edge on the hinge side.

DOOR AND FRAME DIMENSIONING

Models 790-903, 790-904, 790-906, 790-909, 790-935

Designed primarily for work involving new doors and frames

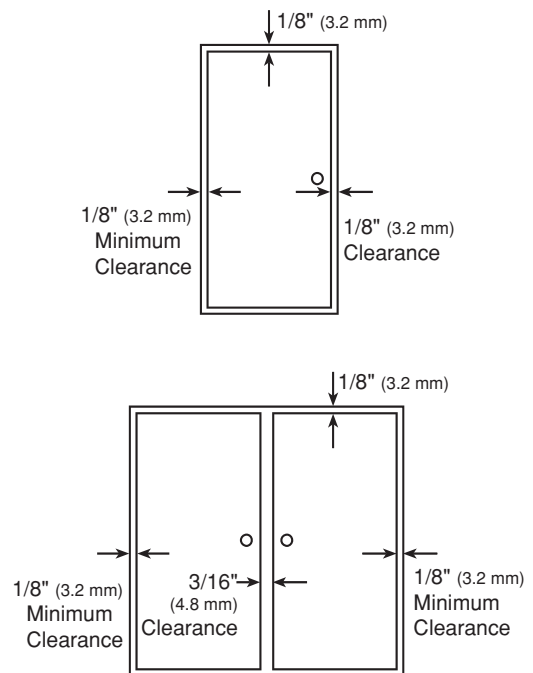
Clearance required as follows:

Single Doors (Square and Beveled Edged)

A. Hinge thickness	$\frac{1}{8}$ "	3.2 mm
B. Additional allowance for frame irregularities	$\frac{1}{32}$ "	0.8 mm
C. Lockside clearance for single door	$\frac{1}{8}$ "	3.2 mm
Total	$\frac{9}{32}$ "	7.2 mm

Pairs of Doors (Square and Beveled Edged)

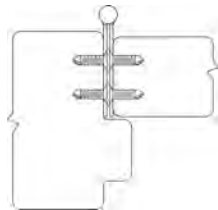
A. Hinge thickness	$\frac{1}{8}$ "	3.2 mm
B. Additional allowance for frame irregularities	$\frac{1}{32}$ "	0.8 mm
C. Clearance between doors (typical)	$\frac{3}{16}$ "	4.8 mm
D. Second hinge thickness	$\frac{1}{8}$ "	3.2 mm
E. Second allowance for frame irregularities	$\frac{1}{32}$ "	0.8 mm
Total	$\frac{1}{2}$ "	12.7 mm



- Notes:
- Some minimal clearance may be required for paint and/or weatherstripping.
 - For doors that are pre-beveled $\frac{1}{8}$ " (3.2 mm)-in-2" (51 mm) on the hinge edge, add $\frac{1}{32}$ " (0.8 mm) per door to the TOTAL clearance shown (Model 790-904 only). For Model 790-906, the hinge edge of the door should not be beveled.

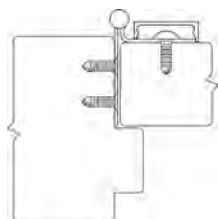


Stainless Steel Continuous Hinges



790-900

DESCRIPTION	SIZE	FINISH	LIST	CASE QTY.
Concealed Leaf, 1/8" Inset, Door of Any Material	79" (2007mm)	US32D	421.50	1
	83" (2108mm)	US32D	421.50	1
	85" (2159mm)	US32D	437.00	1
	95" (2413mm)	US32D	491.75	1
	119" (3023mm)	US32D	592.80	1



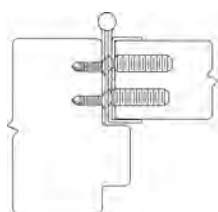
790-903

DESCRIPTION	SIZE	FINISH	LIST	CASE QTY.
Half Surface, 1/8" Inset, Door of Any Material	79" (2007mm)	US32D	437.00	1
	83" (2108mm)	US32D	437.00	1
	85" (2159mm)	US32D	452.35	1
	95" (2413mm)	US32D	507.15	1
	119" (3023mm)	US32D	616.25	1



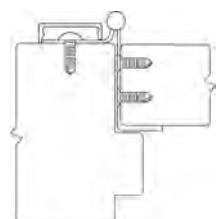
790-904

DESCRIPTION	SIZE	FINISH	LIST	CASE QTY.
Half Mortise, 1/8" Inset, Door of Any Material	79" (2007mm)	US32D	437.00	1
	83" (2108mm)	US32D	437.00	1
	85" (2159mm)	US32D	452.35	1
	95" (2413mm)	US32D	507.15	1
	119" (3023mm)	US32D	616.25	1



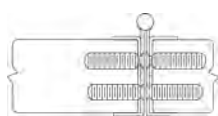
790-905

DESCRIPTION	SIZE	FINISH	LIST	CASE QTY.
Concealed Leaf, 1/8" Inset, Door of Any Material	79" (2007mm)	US32D	545.95	1
	83" (2108mm)	US32D	545.95	1
	85" (2159mm)	US32D	553.95	1
	95" (2413mm)	US32D	616.25	1
	119" (3023mm)	US32D	756.70	1



790-906

DESCRIPTION	SIZE	FINISH	LIST	CASE QTY.
Half Mortise, Edge Guard, Door of Any Material	79" (2007mm)	US32D	473.35	1
	83" (2108mm)	US32D	473.35	1
	85" (2159mm)	US32D	517.55	1
	95" (2413mm)	US32D	574.35	1
	119" (3023mm)	US32D	694.25	1



790-907

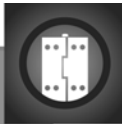
DESCRIPTION	SIZE	FINISH	LIST	CASE QTY.
Concealed Leaf, Flush Mount, Door of Any Material	79" (2007mm)	US32D	585.40	1
	83" (2108mm)	US32D	585.40	1
	85" (2159mm)	US32D	592.80	1
	95" (2413mm)	US32D	647.65	1
	119" (3023mm)	US32D	787.50	1

U/M is each unless otherwise noted.

1/1/09
800-325-9995
www.hagerco.com



Stainless Steel Continuous Hinges





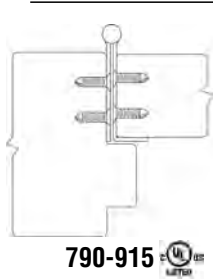
DESCRIPTION	SIZE	FINISH	LIST	CASE QTY.
Full Surface, 1/8" Inset, Swing Clear, Door of Any Material	79" (2007mm)	US32D	515.20	1
	83" (2108mm)	US32D	515.20	1
	85" (2159mm)	US32D	530.60	1
	95" (2413mm)	US32D	592.80	1
	119" (3023mm)	US32D	725.25	1

790-909  





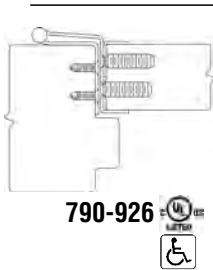
DESCRIPTION	SIZE	FINISH	LIST	CASE QTY.
Concealed Leaf, Swing Clear, Door of Any Material	79" (2007mm)	US32D	468.30	1
	83" (2108mm)	US32D	468.30	1
	85" (2159mm)	US32D	491.75	1
	95" (2413mm)	US32D	538.55	1
	119" (3023mm)	US32D	678.50	1

790-911  



DESCRIPTION	SIZE	FINISH	LIST	CASE QTY.
Concealed Leaf, 1/8" Inset, Door of Any Material	79" (2007mm)	US32D	507.15	1
	83" (2108mm)	US32D	507.15	1
	85" (2159mm)	US32D	522.55	1
	95" (2413mm)	US32D	577.40	1
	119" (3023mm)	US32D	717.85	1

790-915  





DESCRIPTION	SIZE	FINISH	LIST	CASE QTY.
Concealed Leaf, Swing Clear, Door of Any Material	79" (2007mm)	US32D	655.00	1
	83" (2108mm)	US32D	655.00	1
	85" (2159mm)	US32D	678.50	1
	95" (2413mm)	US32D	756.70	1
	119" (3023mm)	US32D	959.40	1

790-926  



DESCRIPTION	SIZE	FINISH	LIST	CASE QTY.
Half Surface, 1/8" Inset, Swing Clear, Door of Any Material	79" (2007mm)	US32D	522.55	1
	83" (2108mm)	US32D	522.55	1
	85" (2159mm)	US32D	538.55	1
	95" (2413mm)	US32D	600.80	1
	119" (3023mm)	US32D	733.25	1

790-935  



U/M is each unless otherwise noted.

1/1/09
800-325-9995
www.hagerco.com

