

**Allegro™** door pulls create an elegant opening statement. Available in a variety of shapes and sizes, pulls are cast of solid stainless steel or bronze. Robust finishes enhance each form and add to the visual richness of the collection.

**Metals and Finishes**

stainless steel		bronze	
US32	polished stainless steel	US9	polished bronze
US32D	satin stainless steel	US10	satin bronze
SSS	stippled stainless steel	SBR	stippled bronze
		US10B	oil-rubbed bronze
		S10	stippled oil-rubbed bronze



DP7758-20 (left) and DP7759-20 (right)



DP7753-20

DP7751-12

DP7751-20

DP7753-12

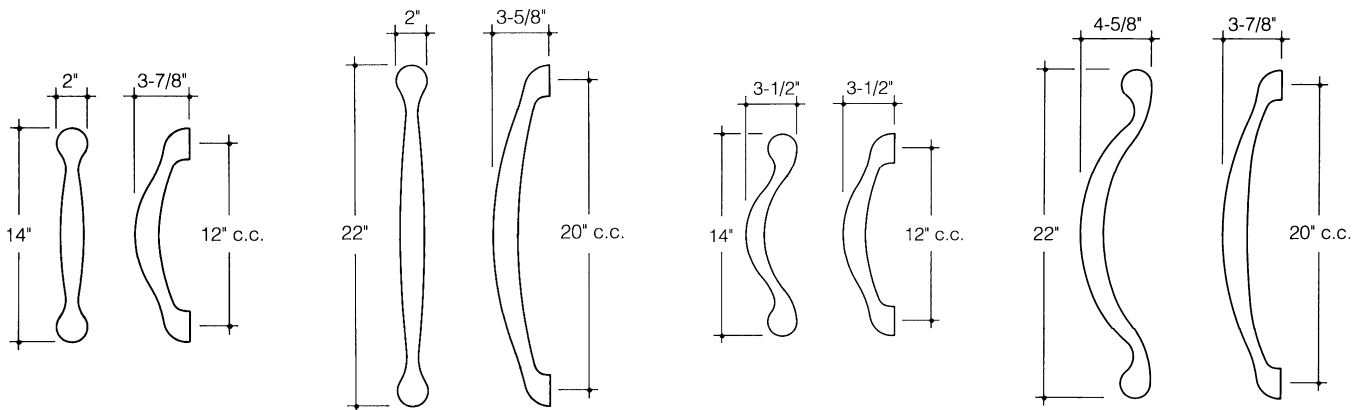
**Installation**

DP7700 Cast Sculptural door pulls may be single mounted or mounted back-to-back on wood, metal or glass doors. *DP7700 door pulls are installed using Mounting System "B". Refer to Mounting Options B1, B2, B3, B4, B5, B6 and B7 in the Hardware Mounting Options Tech Brief for additional information.*

**Maintenance**

DP7700 Cast Sculptural door pulls are well-suited for interior or exterior use. Regular maintenance will help ensure the lasting beauty of each pull.

**Design Options**



DP7751-12

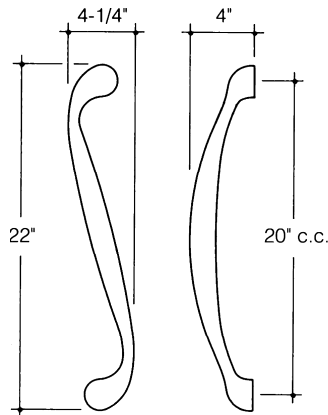
DP7751-20

DP7753-12

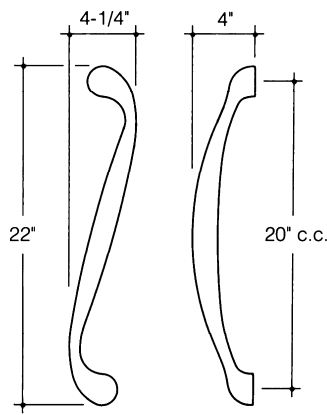
DP7753-20

*Design Options continued next page*

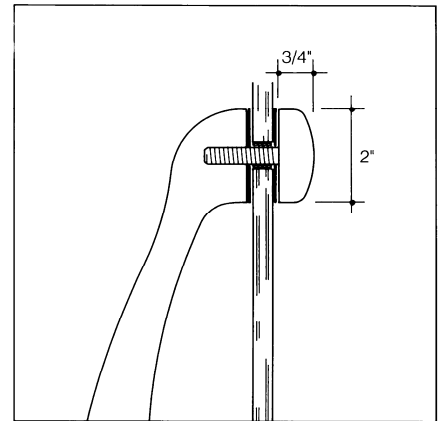
## Design Options



DP7758-20 (left)



DP7759-20 (right)



Single mounting on glass door with end cap

## List Pricing and Ordering Information

No additional charge for mounting hardware. All pricing is for single units, not pairs.

model	stainless steel	list price	bronze	list price
DP7701 end cap; 2" dia.	US32, US32D, SSS	\$74	US9, US10, SBR, US10B, S10	\$100
DP7751 straight; 12" c.c.	US32, US32D, SSS	\$463	US9, US10, SBR, US10B, S10	\$695
DP7751 straight; 20" c.c.	US32, US32D, SSS	\$613	US9, US10, SBR, US10B, S10	\$919
DP7753 offset; 12" c.c.	US32, US32D, SSS	\$463	US9, US10, SBR, US10B, S10	\$695
DP7753 offset; 20" c.c.	US32, US32D, SSS	\$613	US9, US10, SBR, US10B, S10	\$919
DP7758 s-shape-left; 20" c.c.	US32, US32D, SSS	\$613	US9, US10, SBR, US10B, S10	\$919
DP7759 s-shape-right; 20" c.c.	US32, US32D, SSS	\$613	US9, US10, SBR, US10B, S10	\$919

**To order specify:** model number, center-to-center dimension, quantity, metal and finish, mounting option (single or back-to-back), door material and thickness. Pricing does not include freight.

© 2009 Forms+Surfaces All dimensions are nominal. Pricing and specifications subject to change without notice. Different computers, monitors and printers will render colors differently; actual finishes may vary slightly from colors shown here. For the most current version of this tech brief please refer to our web site at [www.forms-surfaces.com](http://www.forms-surfaces.com).